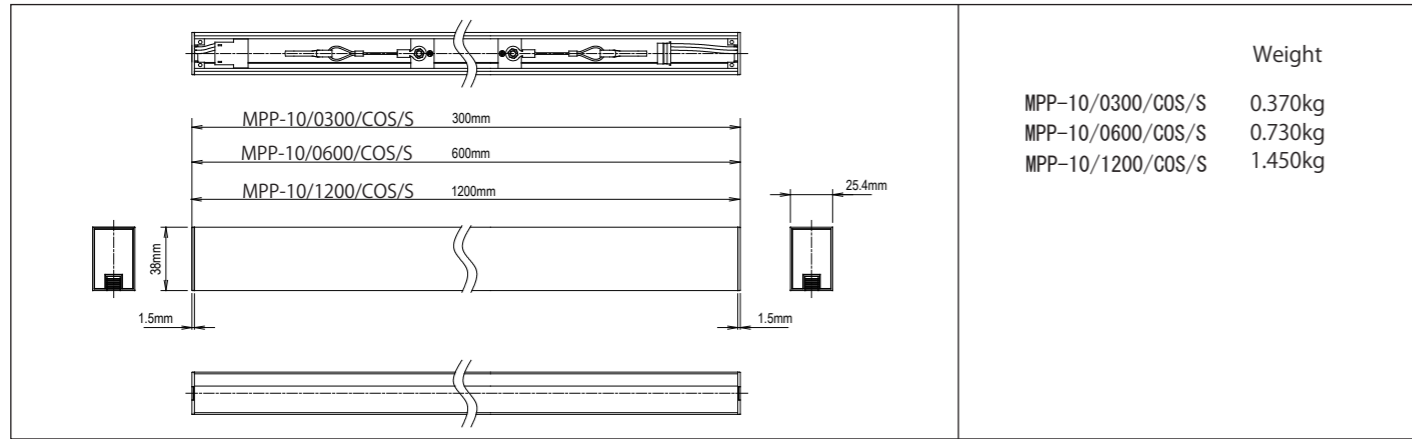


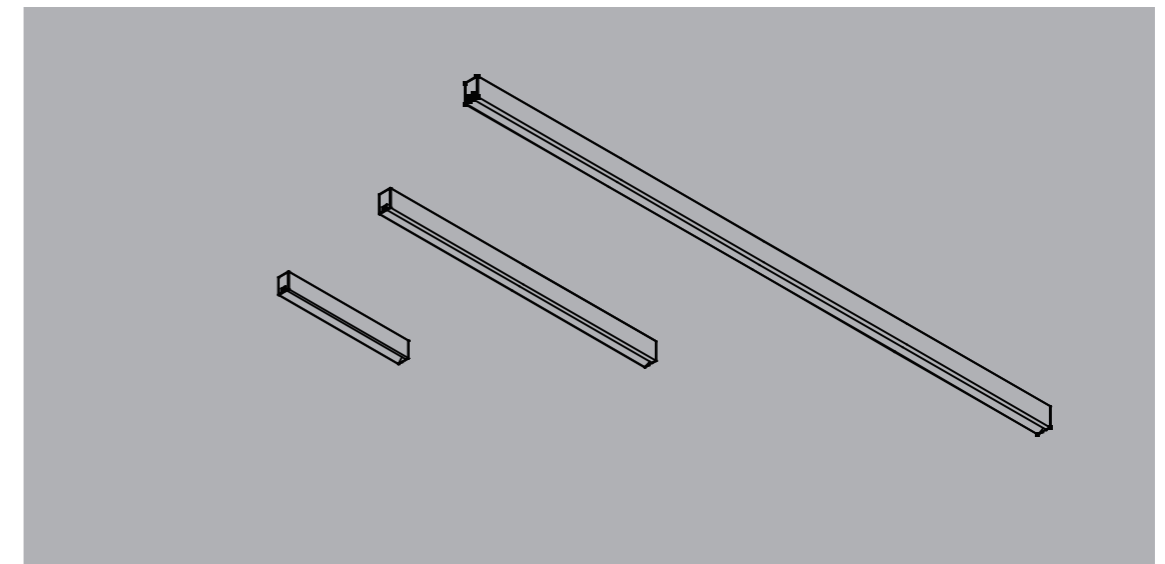
MPP-10/0300/COS/S
 MPP-10/0600/COS/S
 MPP-10/1200/COS/S

(1 wall light fixture)



To install the fixture safely 《 Read carefully and follow all the instructions in the guide 》	
<p>⚠ Warning : Failure to install the fixture properly could result in personal injury. ⚡ : Prohibited</p> <p>⚠ Caution : Failure to install the fixture properly could result in property damage. : Strict observance</p>	
Before installation	<p>⚠ Warning</p> <p>The fixture is for indoor use only in general conditions. Can not be used following conditions (Causes of falling, electrocution and fire)</p> <ul style="list-style-type: none"> ● Inclined, uneven surface ● High humidity ● Outside ● On the floor ● Vibrated or shocked areas ● Areas get direct sunlight ● Insulated inside of ceiling ● Ceiling which can't hold the fixture weight ● On the wall ● Places affected by wind or air-conditioner machine ● Near fire ● Dusty areas, corrosive gas outbreaks areas ● Ambient temperature under 0°C and over 35°C <p>Please contact if you are not able to judge whether installation environment is suitable to the places or not.</p>
	<p>⚠ Caution</p> <p>Please follow the fixtures' indication or specification for the distance of irradiated area. (Causes of change in shape, change in color of irradiated objects)</p>
For electric wiring	<p>⚠ Warning</p> <ul style="list-style-type: none"> ● Only qualified person may work on electric wiring and equipment. (Cause of accidents) ● Use alternating current. Please follow rating plate of fixtures for power supply frequency. (Cause of electrification · fire) (50Hz · 60 Hz common use for ballasts and incandescent lamp fixtures) ● Be sure power supply voltage is within ±6% mentioned in rating plate or the guide. (Causes of short life of lamps · electrification · fire) ● Be sure all the wires and codes are not damaged. (Causes of falling · damage)
	<p>⚠ Warning</p> <ul style="list-style-type: none"> ● Please follow the fixtures' instruction or this guide to install the fixture and lamp. (Causes of falling · electrification · fire) ● Switch off the power when installing the lamp. (Causes of electrification) ● Do not touch the fixture when switch is on or just turn off the switch because of high temperature. ● Do not put or cover the fixture by any cloths, papers, or insulators.(Causes of not lighting · fire) ● Do not place any metallic or flammable objects. (Cause of electrification · fire · broken fixture) ● Make sure to install all the parts of fixtures besides installation and mounting parts will not touch with any objects both inside and outside of ceiling such as lighting track, etc. (Causes of falling · electrification · fire) ● Do not dismount or remodel fixtures. (Cause of electrification · fire · falling · broken fixtures) ● Do not operate with wet hands. ● If you smell smoke, see smoke, or find anything unusual, please turn the switch off and ask construction companies to repair. (Cause of electrification · fire)
	<p>⚠ Caution</p> <ul style="list-style-type: none"> ● Make sure the construction will not affect any fire prevention systems such as sprinkler by heat from the fixture. (Causes for improper operation)

ModuleX



Installation Guide | Lighting Fixture

PRISM Wall washer downlight

To install ModuleX safety

MPP-10/0300/COS/S
MPP-10/0600/COS/S
MPP-10/1200/COS/S

Installation Details		Installation Diagram	Caution
1	<p>Power supply installation</p> <p>Connect the connecting cable with connector to the output of the driver. (Be careful not to make a mistake in the polarity of the wires when connecting. See the figure)</p>		<p>a</p> <p>Electrical wire</p> <p>Please crimp in a place without solder</p> <p>Connect according to the polarity label attached to the connection cable.</p>
	<p>a</p> <p>When crimping, be sure to cut off the solder and crimp it. (Cause of poor crimp contact) Connect the connecting cable and driver according to the attached label.</p>		<p>Polarity label for foundation</p> <p>Power connection DC cable (sold separately) MPP-OP/DC01/1000・3000</p>
2	<p>Install the driver in the ceiling. (Make sure driver maintenance is possible in accordance with the technical standards for war equipment)</p>		
1	<p>Equipment installation (implantation, Ceiling mount)</p> <p>Open the safety wire mounting bracket downward and attach the safety wire.</p>		<p>b</p>
	<p>b</p> <p>Install so that the irradiation surface is on the wall.</p>		
2	<p>Connect the connector on the driver side and the connector on the instrument side.</p>		<p>c</p> <p>Input connector</p> <p>Output connector</p>
	<p>Be sure to turn off the power before starting work.</p>	<p>c</p> <p>Check that the connector is locked and cannot be removed after connection.</p>	
3	<p>Bend inward so that the safety wire mounting bracket does not interfere with the instrument.</p> <p>The connector is placed between the mounting frame and the instrument, and the instrument is installed on the mounting frame.</p>	<p>[Recessed]</p> <p>[Ceiling mount]</p>	<p>d</p> <p>Connector is tilted</p>
	<p>d</p> <p>Arrange the wires so that the connector does not tilt.</p>		
4	<p>Install the instrument so that it is securely fixed to the frame mounting springs (2 places). Make sure that the instrument does not protrude from the frame.</p>		

Precautions	Contents																																																																																			
<p>Number of connected devices by driver capacity</p>	<p>Maximum output power of the driver (sold separately)</p> <table border="1"> <thead> <tr> <th>Model number</th> <th>Output power(W)</th> </tr> </thead> <tbody> <tr> <td>NTC-E060CV0241</td> <td>60</td> </tr> <tr> <td>NTC-E180CV0241</td> <td>180</td> </tr> </tbody> </table> <p>Total length of equipment that can be used by driver (excluding power consumption of the driver)</p> <table border="1"> <thead> <tr> <th rowspan="2">Full length</th> <th rowspan="2">mm</th> <th colspan="8">Driver model number: NTS-E060CV0241</th> </tr> <tr> <th>300</th> <th>600</th> <th>900</th> <th>1200</th> <th>1500</th> <th>1800</th> <th>2100</th> <th>2400</th> </tr> </thead> <tbody> <tr> <td rowspan="2">Power consumption (W)</td> <td>Wall washer</td> <td>7.4</td> <td>14.8</td> <td>22.2</td> <td>29.6</td> <td>37.0</td> <td>44.4</td> <td>51.8</td> <td>59.2</td> </tr> <tr> <td>Foundation</td> <td>14.8</td> <td>29.6</td> <td>44.4</td> <td>59.2</td> <td></td> <td></td> <td></td> <td></td> </tr> </tbody> </table> <table border="1"> <thead> <tr> <th rowspan="2">Full length</th> <th rowspan="2">mm</th> <th colspan="8">Driver model number: NTS-E180CV0241</th> </tr> <tr> <th>1500</th> <th>1800</th> <th>2100</th> <th>2400</th> <th>2700</th> <th>3000</th> <th>3300</th> <th>3600</th> <th>~7200</th> </tr> </thead> <tbody> <tr> <td rowspan="2">Power consumption (W)</td> <td>Wall washer</td> <td></td> <td></td> <td></td> <td></td> <td>66.6</td> <td>74.0</td> <td>81.4</td> <td>88.8</td> <td>~177.6</td> </tr> <tr> <td>Foundation</td> <td>74.0</td> <td>88.8</td> <td>103.6</td> <td>118.4</td> <td>133.2</td> <td>148.0</td> <td>162.8</td> <td>177.6</td> <td></td> </tr> </tbody> </table>	Model number	Output power(W)	NTC-E060CV0241	60	NTC-E180CV0241	180	Full length	mm	Driver model number: NTS-E060CV0241								300	600	900	1200	1500	1800	2100	2400	Power consumption (W)	Wall washer	7.4	14.8	22.2	29.6	37.0	44.4	51.8	59.2	Foundation	14.8	29.6	44.4	59.2					Full length	mm	Driver model number: NTS-E180CV0241								1500	1800	2100	2400	2700	3000	3300	3600	~7200	Power consumption (W)	Wall washer					66.6	74.0	81.4	88.8	~177.6	Foundation	74.0	88.8	103.6	118.4	133.2	148.0	162.8	177.6	
	Model number	Output power(W)																																																																																		
NTC-E060CV0241	60																																																																																			
NTC-E180CV0241	180																																																																																			
Full length	mm	Driver model number: NTS-E060CV0241																																																																																		
		300	600	900	1200	1500	1800	2100	2400																																																																											
Power consumption (W)	Wall washer	7.4	14.8	22.2	29.6	37.0	44.4	51.8	59.2																																																																											
	Foundation	14.8	29.6	44.4	59.2																																																																															
Full length	mm	Driver model number: NTS-E180CV0241																																																																																		
		1500	1800	2100	2400	2700	3000	3300	3600	~7200																																																																										
Power consumption (W)	Wall washer					66.6	74.0	81.4	88.8	~177.6																																																																										
	Foundation	74.0	88.8	103.6	118.4	133.2	148.0	162.8	177.6																																																																											
	<p>Equipment that can be attached to the mounting frame and direct mounting plate</p> <p>300 types</p> <p>Installable instruments: 0300 Single type</p> <hr/> <p>600 types</p> <p>Installable instruments: 0300 Concatenation type, 0600 Single type</p> <hr/> <p>1200 types</p> <p>Installable instruments: 0600 Concatenation type, 1200 Single type</p> <p>Note: 300 instruments cannot be installed on 1200 mounting frames</p>																																																																																			

ModuleX

TOKYO
1-20-6 BF1 Ebisuminami, Shibuya-ku,
Tokyo, 150-0022, Japan
Tel: 81-3-5768-3681

OSAKA
4-1-21 Kitahama, Chuo-ku, Osaka,
541-0041, Japan
Tel: 81-6-7167-2474

FUKUOKA
1-8-30-1 Daimyou, Chuo-ku
Fukuoka, 810-0041, Japan
Tel: 81-92-732-4211