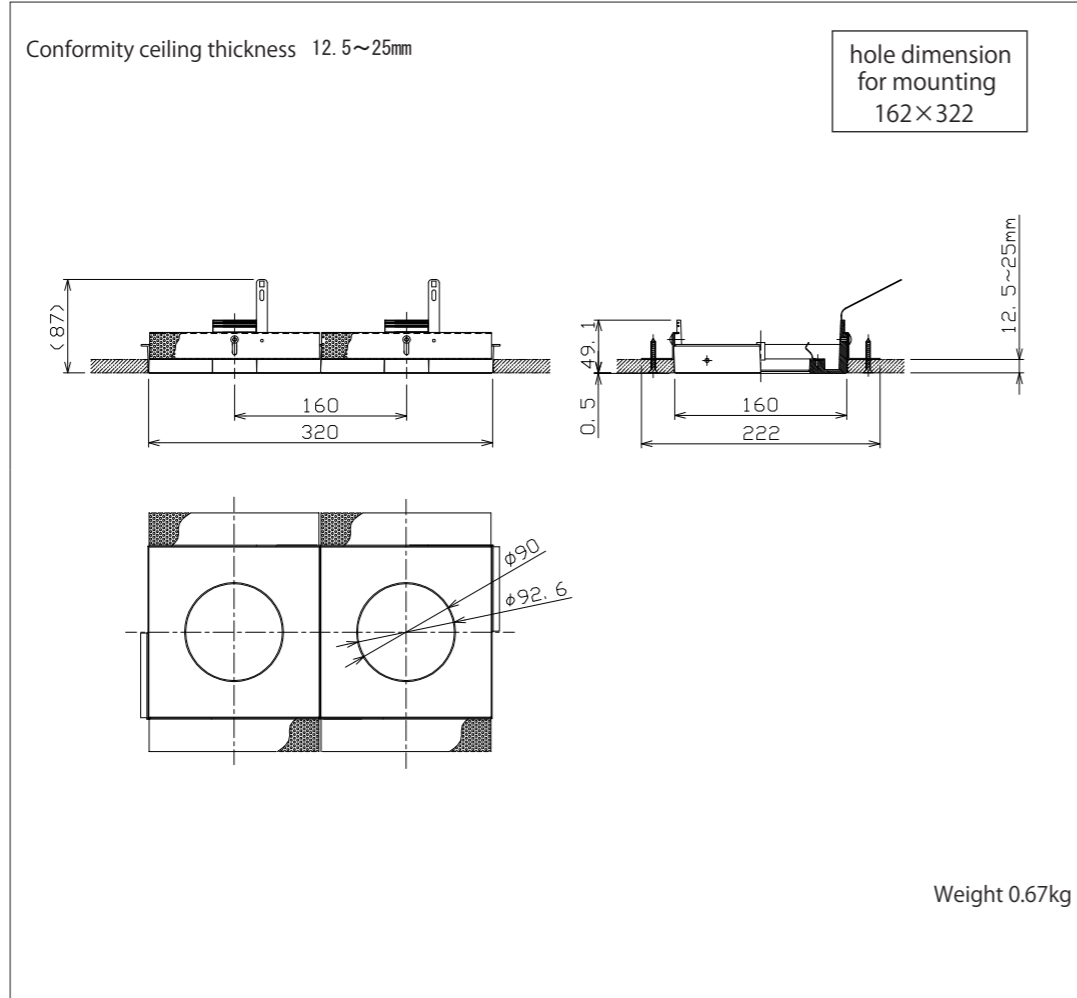


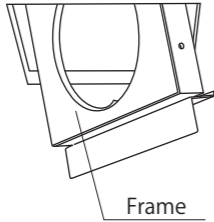
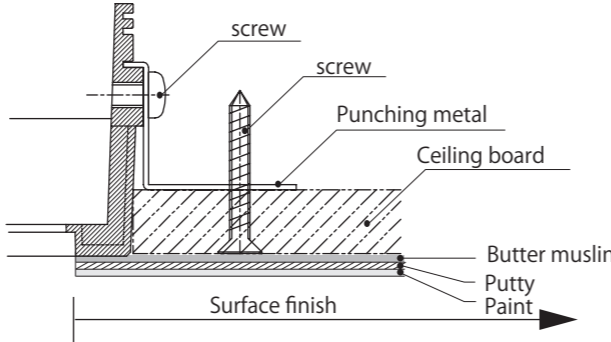
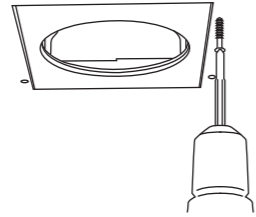
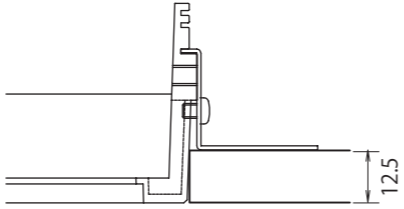
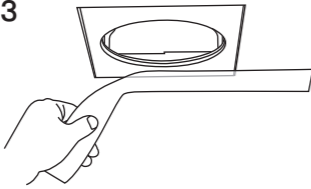
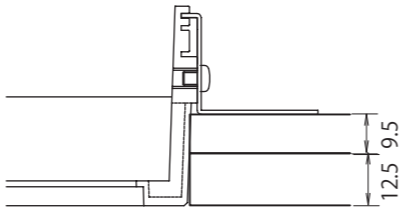
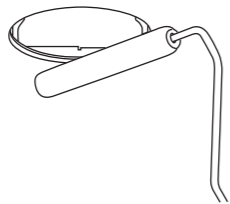
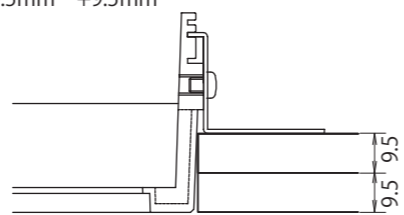
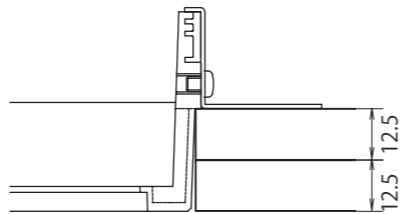
MMT-102/TLF/01

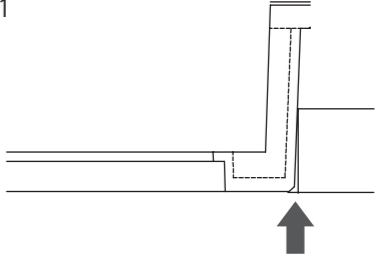
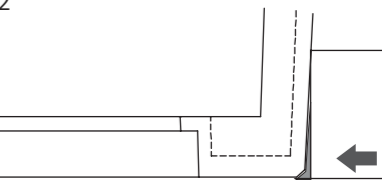
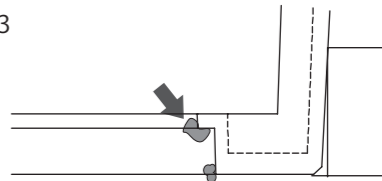


ModuleX

To install the fixture safely 《 Read carefully and follow all the instructions in the guide 》

⚠ Warning : Failure to install the fixture properly could result in personal injury.		⊘ : Prohibited
⚠ Caution : Failure to install the fixture properly could result in property damage.		❗ : Strict observance
Before installation	⚠ Warning	<p>The fixture is for indoor use only in general conditions. Can not be used following conditions (Causes of falling, electrocution and fire)</p> <ul style="list-style-type: none"> ● Inclined, uneven surface ● High humidity ● Outside ● On the floor ● Vibrated or shocked areas ● Areas get direct sunlight ● Insulated inside of ceiling ● Ceiling which can't hold the fixture weight ● On the wall ● Places affected by wind or air-conditioner machine ● Near fire ● Dusty areas, corrosive gas outbreaks areas ● Ambient temperature under 0°C and over 35°C <p>Please contact if you are not able to judge whether installation environment is suitable to the places or not.</p>
	⚠ Caution	❗ Please follow the fixtures' indication or specification for the distance of irradiated area. (Causes of change in shape, change in color of irradiated objects)
At lighting fixture installation	⚠ Warning	❗ Please follow the fixtures' instruction or this guide to install the fixture and lamp. (Causes of falling • electrification • fire)
		❗ Make sure to install all the parts of fixtures besides installation and mounting parts will not touch with any objects both inside and outside of ceiling such as lighting track, etc. (Causes of falling • electrification • fire)
		⊘ Do not dismantle or remodel fixtures. (Cause of electrification • fire • falling • broken fixtures)
	⚠ Caution	❗ Make sure the construction will not affect any fire prevention systems such as sprinkler by heat from the fixture. (Causes for improper operation)

Installation Details	Installation Diagram	Caution
<p>1 Install the mounting in the opening of the ceiling. Open the mounting hole and insert the frame.</p> <p>⚠a After adjusting the thickness of the board, secure the punching metal to the box with screw securely.</p>	<p>1 Ceiling cut out</p> <p>Recommended hole dimension for mounting 162×322</p>  <p>Frame</p>	<p>⚠a</p> 
<p>2 Secure the punching metal to the implant box with screw.</p>	<p>2</p> 	<p>Ceiling board 12.5mm</p> 
<p>3 Finish the surface of the ceiling board and the box with cheesecloth undercoat and putty.</p>	<p>3</p> 	<p>Ceiling board 9.5mm +12.5mm</p> 
<p>4 Decorate the ceiling to finish.</p>	<p>4</p> 	<p>Ceiling board 9.5mm +9.5mm</p>  <p>Ceiling board 12.5mm +12.5mm</p> 

Installation Details	Installation Diagram	Caution
<p>⚠b For ceiling construction, it becomes contractor's work, but be careful on the cautions of the construction.</p>		<p>⚠b</p>
<p>b-1 Make sure to have the ceiling surface and the opening to become flush.</p>		<p>b-1</p> 
<p>b-2 When constructing, make sure the putty is securely finished and there will be no crack.</p>		<p>b-2</p> 
<p>b-3 Make sure there will be no ceiling paint on the opening of the box.</p>		<p>b-3</p> 

(Contact)

Concord Lighting

5/F, Longbow House, 14-20 Chiswell Street, London, EC1Y 4TW, UK
Tel : +44-01273-616649

(Manufacturer)

ModuleX Inc.

#21 AraiBldg, 1-20-6 Ebisu-Minami Shibuya-ku, Tokyo
Tel : +81-3-5768-3131