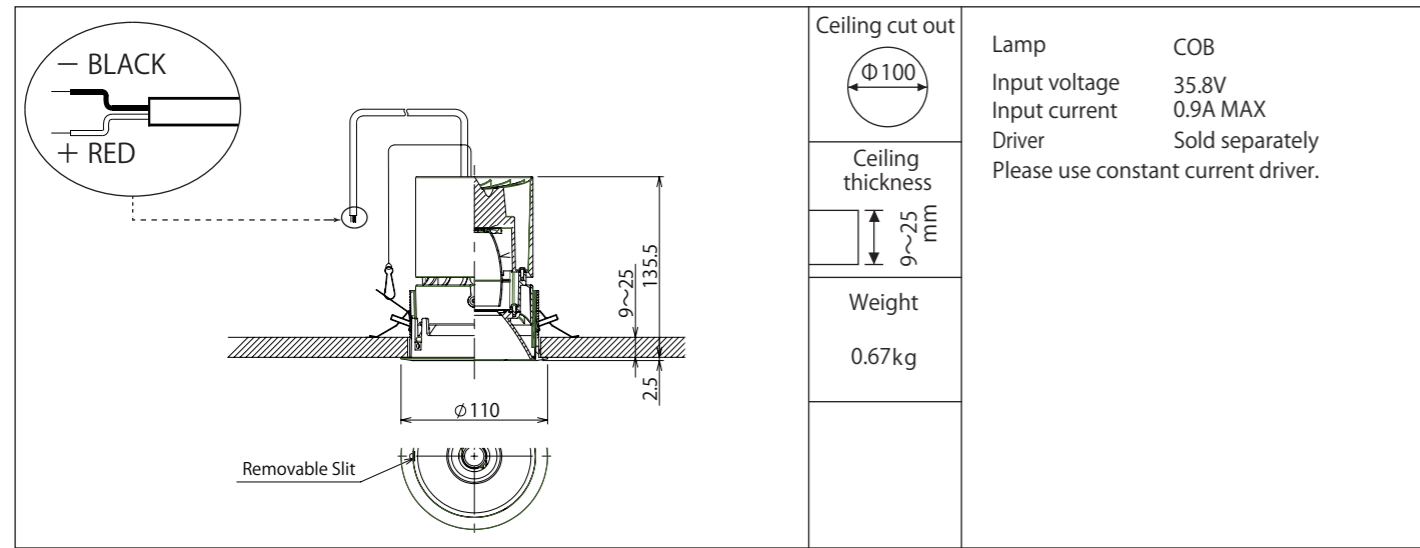


MMP-100F/30B/DL/3



ModuleX

Installation Guide | Lighting Fixture

To install the fixture safely 《 Read carefully and follow all the instructions in the guide 》		
⚠ Warning : Failure to install the fixture properly could result in personal injury.		⊘ : Prohibited
⚠ Caution : Failure to install the fixture properly could result in property damage.		❗ : Strict observance
Before installation	⚠ Warning	<p>The fixture is for indoor use only in general conditions. This fixture can only be installed on a horizontal ceiling. Can not be used following conditions (Causes of falling, electrocution and fire)</p> <ul style="list-style-type: none"> ● Inclined, uneven surface ● High humidity ● Outside ● On the floor ● Vibrated or shocked areas ● Areas get direct sunlight ● Insulated inside of ceiling ● Ceiling which can't hold the fixture weight ● On the wall ● Places affected by wind or air-conditioner machine ● Near fire ● Dusty areas, corrosive gas outbreaks areas ● Ambient temperature under 0°C and over 35°C <p>Please contact if you are not able to judge whether installation environment is suitable to the places or not.</p>
	⚠ Caution	❗ Please follow the fixtures' indication or specification for the distance of irradiated area. (Causes of change in shape, change in color of irradiated objects)
For electric wiring	⚠ Warning	❗ Only qualified person may work on electric wiring and equipment. (Cause of accidents)
		❗ Use alternating current. Please follow rating plate of fixtures for power supply frequency. (Cause of electrification · fire) (50Hz · 60 Hz common use for ballasts and incandescent lamp fixtures)
		❗ Be sure power supply voltage is within ±6% mentioned in rating plate or the guide. (Causes of short life of lamps · electrification · fire)
		❗ Be sure all the wires and codes are not damaged. (Causes of falling · damage)
At lighting fixture installation	⚠ Warning	❗ Please follow the fixtures' instruction or this guide to install the fixture and lamp. (Causes of falling · electrification · fire)
		❗ Switch off the power when installing the lamp. (Causes of electrification)
		⊘ Do not touch the fixture when switch is on or just turn off the switch because of high temperature.
		⊘ Do not put or cover the fixture by any cloths, papers, or insulators.(Causes of not lighting · fire)
		⊘ Do not place any metallic or flammable objects. (Cause of electrification · fire · broken fixture)
		❗ Make sure to install all the parts of fixtures besides installation and mounting parts will not touch with any objects both inside and outside of ceiling such as lighting track, etc. (Causes of falling · electrification · fire)
		⊘ Do not dismount or remodel fixtures. (Cause of electrification · fire · falling · broken fixtures)
		⊘ Do not operate with wet hands.
		❗ If you smell smoke, see smoke, or find anything unusual, please turn the switch off and ask construction companies to repair. (Cause of electrification · fire)
⚠ Caution	❗ Make sure the construction will not affect any fire prevention systems such as sprinkler by heat from the fixture. (Causes of improper operation)	

MMP-100F/30B/DL/3

Installation Details		Installation Diagram	Caution	
Install the mounting equipment for ceiling cut out 1 Cut out a hole and install the mounting frame. 2 Slide the metal fittings from upper side. 3 Use a screw driver and tighten the metal fittings.			⚠ a	⚠ b
⚠ a On step 2, please fix the metal fitting firmly with your fingers. If not, it may cause falling of fixtures. ⚠ b Make sure to tighten the metal fittings securely with a screwdriver. (torque 1.0 ~ 2.0 N · m) If it is loose, it may cause falling of the fixture.	<p>Push tight</p>		<p>Standard to screw torque 1.0~2.0N · m</p>	
Wiring connection Please connect according to the description of a power supply. When connecting the driver, careful attention should be paid to connecting + and -. Metal part in a cable point, please don't touch with bare hand directly.		<p>Driver</p> <p>CAUTION ! Do not reverse polarity !</p>		

Installation Details		Installation Diagram	Caution	
Installation to ceiling 1 Install the safety wire to the mounting frame. 2 Install the fixture to the mounting frame.			⚠ h	⚠ i
⚠ h Make sure to install the safety wire to the mounting frame securely. ⚠ i Use clean soft cloth to clean up and maintain inner side of the body. ⚠ Make sure the fixture will not touch any objects in ceiling.	<p>Safety wire</p>		<p>Mounting frame Fixture Inside Clean gloves</p>	
Remove fixture from a ceiling 1 match the slit of the mounting frame slit with a cone slit 2 Insert a screwdriver in a slit and take off fixture 3 pull straight up the main body from an implantation frame				

(Contact)

Concord Lighting

5/F, Longbow House, 14-20 Chiswell Street, London, EC1Y 4TW, UK
Tel : +44-01273-616649

(Manufacturer)

ModuleX Inc.

#21 AraiBldg, 1-20-6 Ebisu-Minami Shibuya-ku, Tokyo
Tel : +81-3-5768-3131