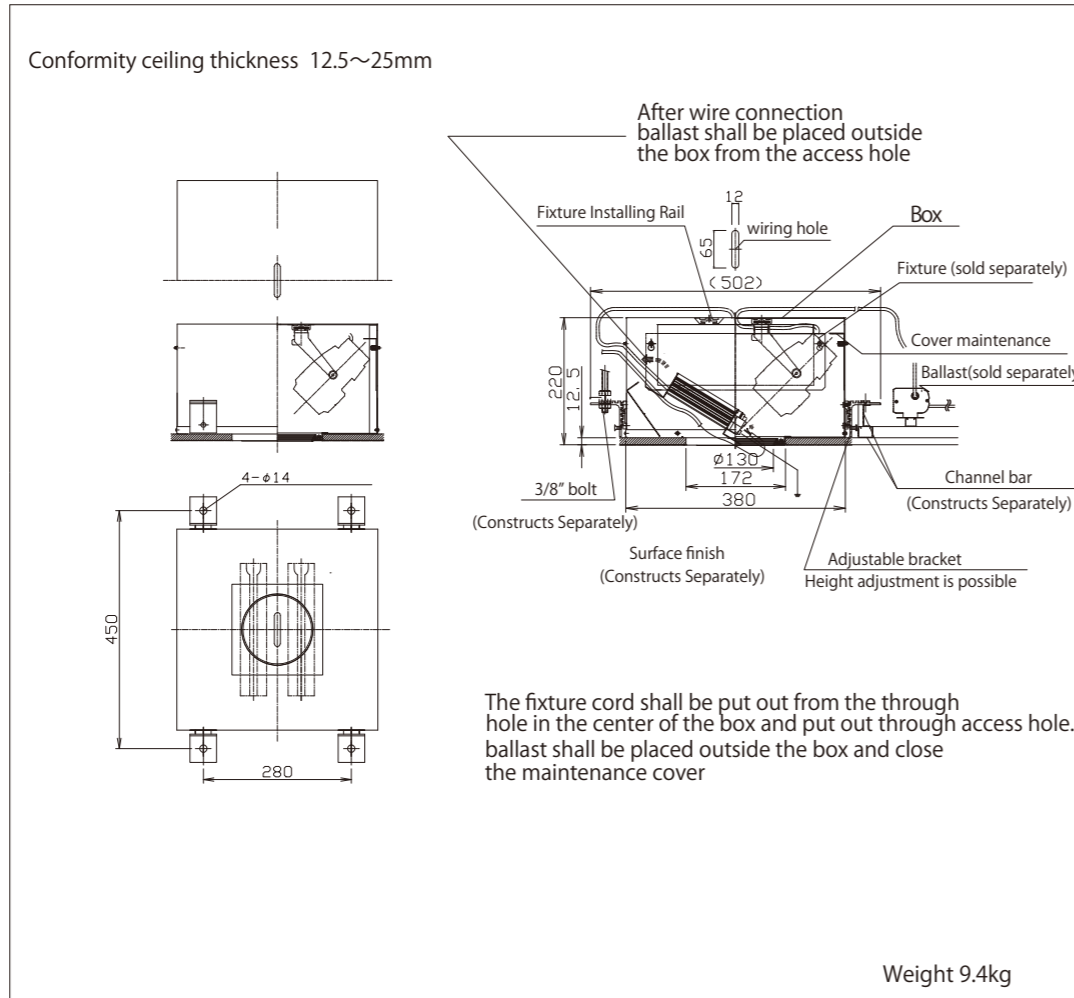
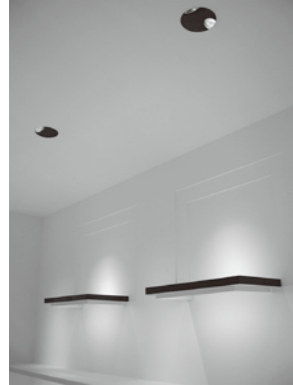


Discontinued product
SX-LN131



ModuleX

To install the fixture safely 《 Read carefully and follow all the instructions in the guide 》

⚠ Warning : Failure to install the fixture properly could result in personal injury.		⊘ : Prohibited
⚠ Caution : Failure to install the fixture properly could result in property damage.		❗ : Strict observance
Before installation	⚠ Warning	<p>The fixture is for indoor use only in general conditions. Can not be used following conditions (Causes of falling, electrocution and fire)</p> <ul style="list-style-type: none"> ● Inclined, uneven surface ● High humidity ● Outside ● On the floor ● Vibrated or shocked areas ● Areas get direct sunlight ● Insulated inside of ceiling ● Ceiling which can't hold the fixture weight ● On the wall ● Places affected by wind or air-conditioner machine ● Near fire ● Dusty areas, corrosive gas outbreaks areas ● Ambient temperature under 0°C and over 35°C <p>Please contact if you are not able to judge whether installation environment is suitable to the places or not.</p>
	⚠ Caution	❗ Please follow the fixtures' indication or specification for the distance of irradiated area. (Causes of change in shape, change in color of irradiated objects)
At lighting fixture installation	⚠ Warning	❗ Please follow the fixtures' instruction or this guide to install the fixture and lamp. (Causes of falling • electrification • fire)
		❗ Make sure to install all the parts of fixtures besides installation and mounting parts will not touch with any objects both inside and outside of ceiling such as lighting track, etc. (Causes of falling • electrification • fire)
		⊘ Do not dismantle or remodel fixtures. (Cause of electrification • fire • falling • broken fixtures)
	⚠ Caution	❗ Make sure the construction will not affect any fire prevention systems such as sprinkler by heat from the fixture. (Causes for improper operation)

SX-LN131

Installation Details	Installation Diagram	Caution								
<p>Attachment to a ceiling</p> <ol style="list-style-type: none"> Slide the adjustable bracket to the side of the box to install Place the channel and the bar on the box <p>a Be careful of the position of the adjustable bracket. Adjust it according to the thickness of the ceiling board as per the drawing (Bracket has sticker A indicated). In case its installed incorrectly, it may effect the construction to the ceiling or the fixture might fall off.</p> <p>With board thickness of 9.5mm and 9.5mm×2, there will be 3mm gap between the box. Please make adjustments with the material.</p>	<p>C channel M bar</p>	<p>a</p> <p>Fill in the 3mm gap with material</p> <p>C channel</p> <p>Mbar</p>								
<ol style="list-style-type: none"> Slide the bracket to the precise area and secure with anchor bolt. Slide the fixture to the rail within the box and install. (Please refer to the Fixture Install Guide) Connect the wires to the fixture. (Please refer to the Fixture Install Guide) 	<p>Anchor bolt fixation</p> <p>area and the ceiling surface to the flush surface</p>	<p>3</p> <p>Adjustable bracket</p> <p>4-φ14</p> <table border="1"> <thead> <tr> <th>L</th> <th>W</th> </tr> </thead> <tbody> <tr> <td>OM-LN131 280</td> <td>OM-LN131 450</td> </tr> <tr> <td>OM-LN132 380</td> <td>OM-LN132 450</td> </tr> <tr> <td>OM-LN133 580</td> <td>OM-LN133 450</td> </tr> </tbody> </table>	L	W	OM-LN131 280	OM-LN131 450	OM-LN132 380	OM-LN132 450	OM-LN133 580	OM-LN133 450
L	W									
OM-LN131 280	OM-LN131 450									
OM-LN132 380	OM-LN132 450									
OM-LN133 580	OM-LN133 450									

Installation Details	Installation Diagram	Caution
<p>Ceiling finish</p> <ol style="list-style-type: none"> Butter muslin is stuck . Finish the seam with putty. paint. 		<p>To Ceiling Constructors Please pay attention.</p> <ol style="list-style-type: none"> Butter muslin is stuck Finish the seam with putty paint
<p>b When constructing, make sure the putty is securely finished and there will be no crack</p>		<p>b</p>
<p>c Make sure there will be no ceiling paint on the opening of the box</p>		<p>c</p>

(Contact)

Concord Lighting

5/F, Longbow House, 14-20 Chiswell Street, London, EC1Y 4TW, UK
Tel : +44-01273-616649

(Manufacturer)

ModuleX Inc.

#21 AraiBldg, 1-20-6 Ebisu-Minami Shibuya-ku, Tokyo
Tel : +81-3-5768-3131