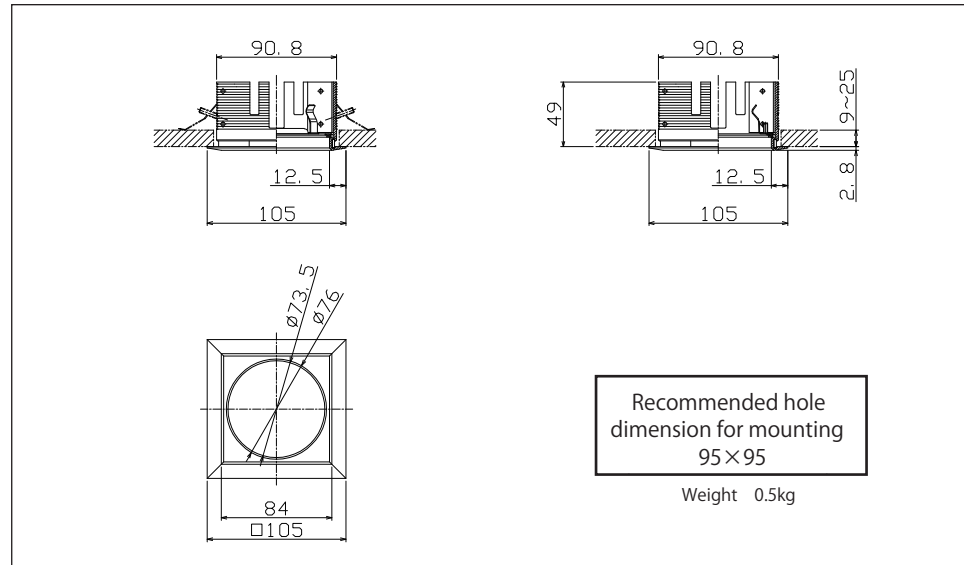


# Maintenance guide

## SX-LD081/V2



# ModuleX

## ModuleX Maintenance

To use ModuleX in comfort

SX-LD081/V2

### ■About the cleaning of the fixture

#### About the life of an instrument

When you clean an appliance, I switch it off by all means and wipe off a dirt with the tender cloth which you soaked an alkaline detergent into, and, please wipe off a city drop of water with the beautiful cloth which dried well.

⚠ Wipe it with volatile things such as thinner or the benzene, and, please do not wear an insecticide. It causes a change of color, the change in quality.

### ■Guarantee

#### Term of a guarantee

Establish us's original long-term term of a guarantee.

#### Guarantee contents

When the malfunction of the product occurs, I repair it by a term of a guarantee and the condition every product gratis or replace it free of charge.

The materials about damage and construction are out of the guarantee by the construction of the lighting equipment.

#### About a request of the repair

When I am not the warranty condition again when a term of a guarantee passes, it should be charged repair.

#### Warranty condition

About the detailed warranty condition, I list it in "a certificate".

※Please refer to our business charge for the details.

### ■After-sale service

Value consultation about the repair and any questions, and, please refer to the store of the request or our office.

2013.9.1

**ModuleX**

TOKYO  
1-20-6 BF1 Ebisuminami, Shibuya-ku,  
Tokyo, 150-0022, Japan  
Tel : 81-3-5768-3681

OSAKA  
5-6-9 Shinosakadaichi9F Nishinakajima,  
Yodogawa-ku, Osaka, 532-0011, Japan  
Tel : 81-6-6305-3501

FUKUOKA  
1-8-30-1 Daimyou, Chuou-ku  
Fukuoka, 810-0041, Japan  
Tel : 81-92-732-4211

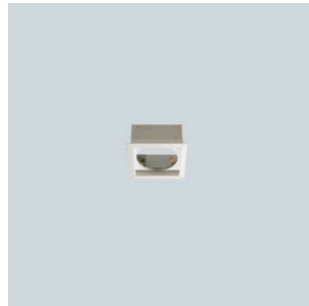
# Maintenance guide

The specification of this product is Japanese.

To use ModuleX in comfort

COMPOSITE

SX-LD081/V2



Installation Details		Installation Diagram	Caution		
1	Install the mounting equipment for ceiling cut out	<p>1 Ceiling cut out</p> <p>Recommended hole dimension for mounting 95×95</p> <p>Ceiling</p> <p>2 2</p> <p>3</p> <p>Attachment bracket is required in 2 facing sides of the box.</p>	⚠ a	⚠ b	
2	Cut out a hole and install the mounting frame		<p>On step 2, please fix the metal fitting firmly with your fingers. If not, it may cause falling of fixtures</p> <p>make sure to tighten the metal fittings securely with a screwdriver. (torque 1.0 ~2.0 N · m) If it is loose, it may cause falling of the fixture</p>	<p>Push tight</p>	<p>Standard to screw torque 1.0~2.0N · m</p>
3	Slide the metal fittings from upper side				
	Use a screw driver and tighten the metal fittings				

## To install the fixture safely 《 Read carefully and follow all the instructions in the guide 》

⚠ Warning : Failure to install the fixture properly could result in personal injury.		⊘ : Prohibited
⚠ Caution : Failure to install the fixture properly could result in property damage.		⚠ : Strict observance
At lighting fixture installation	⚠ Warning	⚠ Please follow the fixtures' instruction or this guide to install the fixture and lamp. (Causes of falling · electrification · fire)
		⚠ Switch off the power when installing the lamp. (Causes of electrification)
		⊘ Do not touch the fixture when switch is on or just turn off the switch because of high temperature.
		⊘ Do not put or cover the fixture by any cloths, papers, or insulators.(Causes of not lighting · fire)
		⊘ Do not place any metallic or flammable objects. (Cause of electrification · fire · broken fixture)
		⚠ Make sure to install all the parts of fixtures besides installation and mounting parts will not touch with any objects both inside and outside of ceiling such as lighting track, etc. (Causes of falling · electrification · fire)
		⊘ Do not dismount or remodel fixtures. (Cause of electrification · fire · falling · broken fixtures)
		⊘ Do not operate with wet hands.
		⚠ If you smell smoke, see smoke, or find anything unusual, please turn the switch off and ask construction companies to repair. (Cause of electrification · fire)
⚠ Caution	⚠ Make sure the construction will not affect any fire prevention systems such as sprinkler by heat from the fixture. (Causes for improper operation)	