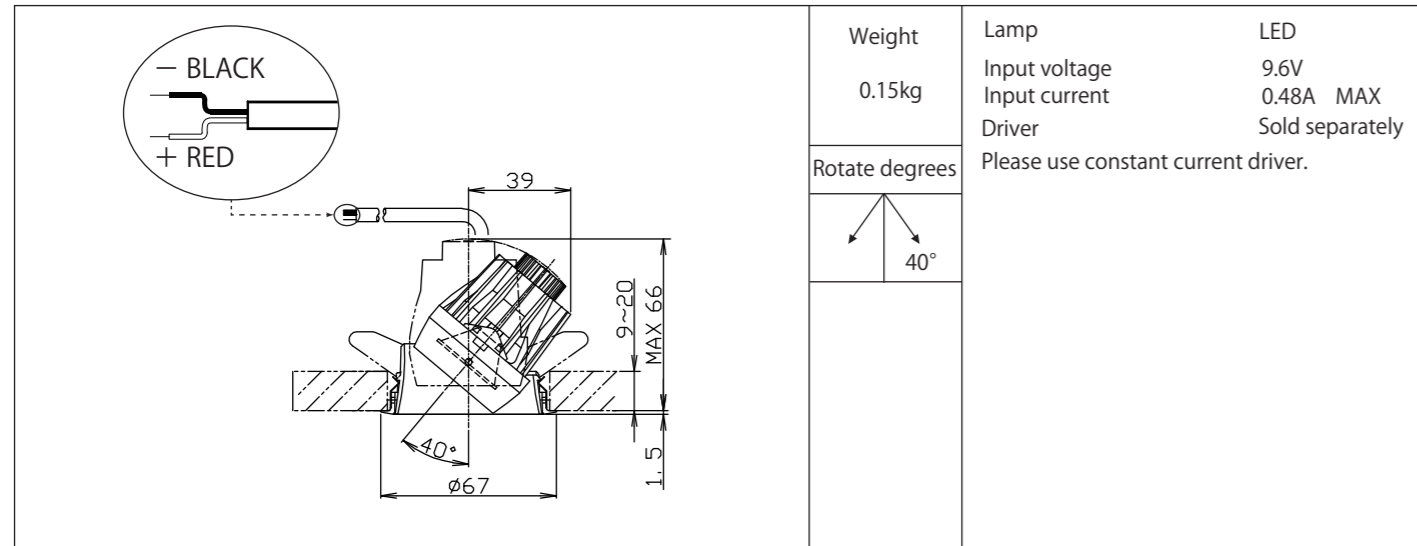


SX-B0654D/CE/RB

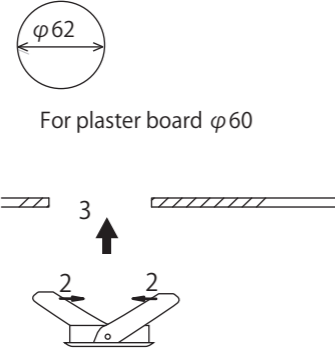
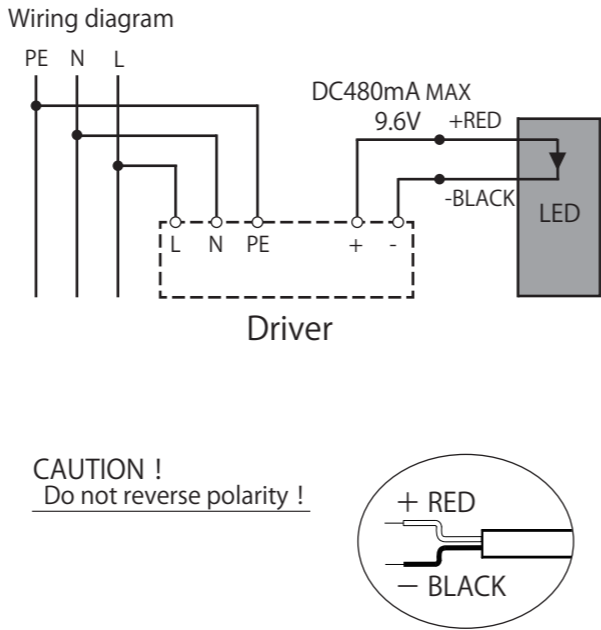


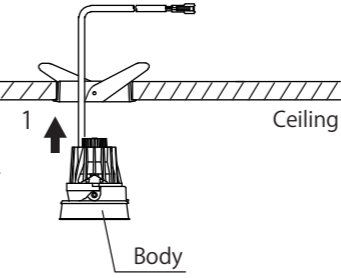
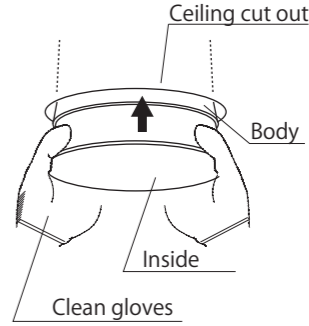
Weight	Lamp	LED
0.15kg	Input voltage	9.6V
	Input current	0.48A MAX
	Driver	Sold separately
Rotate degrees	Please use constant current driver.	
40°		

ModuleX

Installation Guide | Lighting Fixture

To install the fixture safely 《 Read carefully and follow all the instructions in the guide 》		
	⚠ Warning	Failure to install the fixture properly could result in personal injury.
	⚠ Caution	Failure to install the fixture properly could result in property damage.
	⊘	Prohibited
	⚠	Strict observance
Before installation	⚠ Warning	<p>The fixture is for indoor use only in general conditions. Can not be used following conditions (Causes of falling, electrocution and fire)</p> <ul style="list-style-type: none"> ● Inclined, uneven surface ● High humidity ● Outside ● On the floor ● Vibrated or shocked areas ● Areas get direct sunlight ● Insulated inside of ceiling ● Ceiling which can't hold the fixture weight ● On the wall ● Places affected by wind or air-conditioner machine ● Near fire ● Dusty areas, corrosive gas outbreaks areas ● Ambient temperature under 0°C and over 35°C <p>Please contact if you are not able to judge whether installation environment is suitable to the places or not.</p>
	⚠ Caution	<p>Please follow the fixtures' indication or specification for the distance of irradiated area. (Causes of change in shape, change in color of irradiated objects)</p>
For electric wiring	⚠ Warning	<p>Only qualified person may work on electric wiring and equipment. (Cause of accidents)</p> <p>Use alternating current. Please follow rating plate of fixtures for power supply frequency. (Cause of electrification · fire) (50Hz · 60 Hz common use for ballasts and incandescent lamp fixtures)</p> <p>Be sure power supply voltage is within ±6% mentioned in rating plate or the guide. (Causes of short life of lamps · electrification · fire)</p> <p>Be sure all the wires and codes are not damaged. (Causes of falling · damage)</p>
	⚠	Please follow the fixtures' instruction or this guide to install the fixture and lamp. (Causes of falling · electrification · fire)
	⚠	Switch off the power when installing the lamp. (Causes of electrification)
	⊘	Do not touch the fixture when switch is on or just turn off the switch because of high temperature.
At lighting fixture installation	⊘	Do not put or cover the fixture by any cloths, papers, or insulators. (Causes of not lighting · fire)
	⊘	Do not place any metallic or flammable objects. (Cause of electrification · fire · broken fixture)
	⚠	Make sure to install all the parts of fixtures besides installation and mounting parts will not touch with any objects both inside and outside of ceiling such as lighting track, etc. (Causes of falling · electrification · fire)
	⊘	Do not dismount or remodel fixtures. (Cause of electrification · fire · falling · broken fixtures)
	⊘	Do not operate with wet hands.
	⚠	If you smell smoke, see smoke, or find anything unusual, please turn the switch off and ask construction companies to repair. (Cause of electrification · fire)
	⚠ Caution	Make sure the construction will not affect any fire prevention systems such as sprinkler by heat from the fixture. (Causes for improper operation)

Installation Details	Installation Diagram	Caution
<p>Ceiling cut out</p> <ol style="list-style-type: none"> Cut out a mounting hole. Bend the installation springs to the fixture side. Hold the springs and insert the fixtures straight to ceiling cut out. 	<p>1 Cut out the ceiling</p>  <p>For plaster board φ60</p>	
<p>Wiring connection</p> <p>Please connect according to the description of a power supply.</p> <p>When connecting the driver, careful attention should be paid to connecting + and -.</p> <p>Metal part in a cable point, please don't touch with bare hand directly.</p>		<p>Wiring diagram</p>  <p>CAUTION ! Do not reverse polarity !</p>

Installation Details	Installation Diagram	Caution	
<ol style="list-style-type: none"> Install the fixture to the mounting frame. <p>Do not touch inner side of the body with bare hands. Use clean soft cloth to clean up and maintain inner side of the body</p> <p>Make sure the fixture will not touch any objects in the ceiling</p>		<p>h</p> 	

(Contact)

Concord Lighting

5/F, Longbow House, 14-20 Chiswell Street, London, EC1Y 4TW, UK
Tel : +44-01273-616649

(Manufacturer)

ModuleX Inc.

#21 AraiBldg, 1-20-6 Ebisu-Minami Shibuya-ku, Tokyo
Tel : +81-3-5768-3131