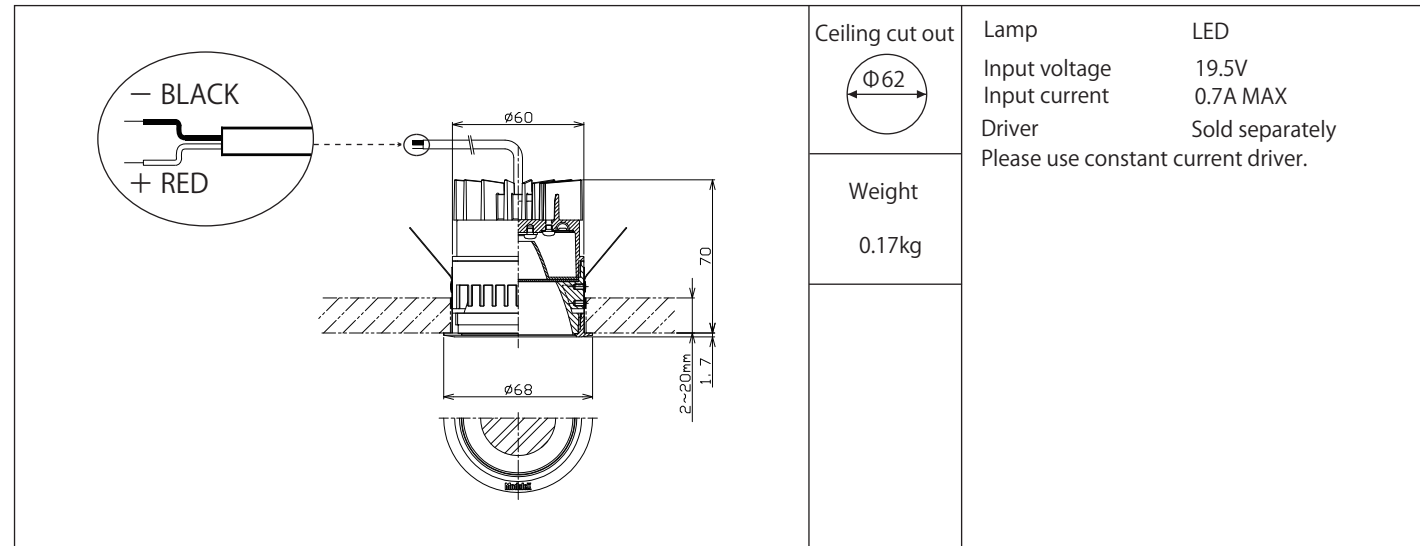


SX-B0352D/CE/W3/RB



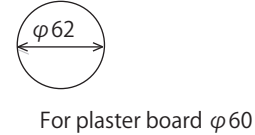
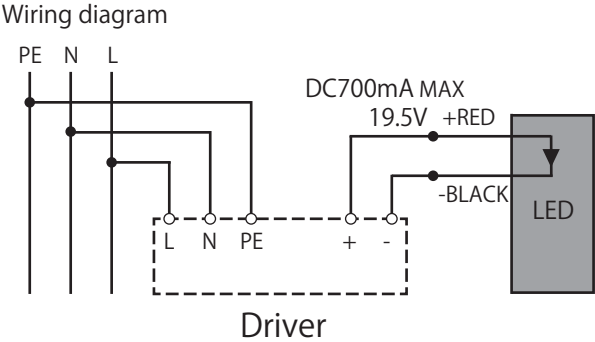
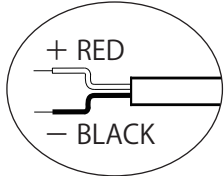
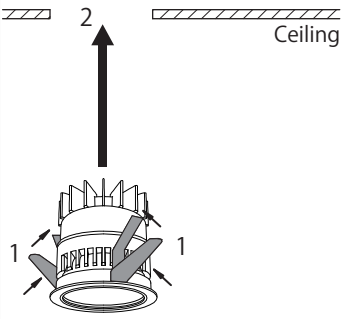
Ceiling cut out		Lamp	LED
		Input voltage	19.5V
		Input current	0.7A MAX
		Driver	Sold separately
		Please use constant current driver.	
Weight			
	0.17kg		

# ModuleX

## Installation Guide | Lighting Fixture

To install the fixture safely 《 Read carefully and follow all the instructions in the guide 》		
	⚠ Warning : Failure to install the fixture properly could result in personal injury.	⊘ : Prohibited
	⚠ Caution : Failure to install the fixture properly could result in property damage.	❗ : Strict observance
Before installation	⚠ Warning	<p>The fixture is for indoor use only in general conditions. Can not be used following conditions (Causes of falling, electrocution and fire)</p> <ul style="list-style-type: none"> <li>● Inclined, uneven surface</li> <li>● High humidity</li> <li>● Outside</li> <li>● On the floor</li> <li>● Vibrated or shocked areas</li> <li>● Areas get direct sunlight</li> <li>● Insulated inside of ceiling</li> <li>● Ceiling which can't hold the fixture weight</li> <li>● On the wall</li> <li>● Places affected by wind or air-conditioner machine</li> <li>● Near fire</li> <li>● Dusty areas, corrosive gas outbreaks areas</li> <li>● Ambient temperature under 0°C and over 35°C</li> </ul> <p>Please contact if you are not able to judge whether installation environment is suitable to the places or not.</p>
	⚠ Caution	❗ Please follow the fixtures' indication or specification for the distance of irradiated area. (Causes of change in shape, change in color of irradiated objects)
For electric wiring	⚠ Warning	❗ Only qualified person may work on electric wiring and equipment. (Cause of accidents)
		❗ Use alternating current. Please follow rating plate of fixtures for power supply frequency. (Cause of electrification · fire) (50Hz · 60 Hz common use for ballasts and incandescent lamp fixtures)
		❗ Be sure power supply voltage is within ±6% mentioned in rating plate or the guide. (Causes of short life of lamps · electrification · fire)
		❗ Be sure all the wires and codes are not damaged. (Causes of falling · damage)
At lighting fixture installation	⚠ Warning	❗ Please follow the fixtures' instruction or this guide to install the fixture and lamp. (Causes of falling · electrification · fire)
		❗ Switch off the power when installing the lamp. (Causes of electrification)
		⊘ Do not touch the fixture when switch is on or just turn off the switch because of high temperature.
		⊘ Do not put or cover the fixture by any cloths, papers, or insulators. (Causes of not lighting · fire)
		⊘ Do not place any metallic or flammable objects. (Cause of electrification · fire · broken fixture)
		❗ Make sure to install all the parts of fixtures besides installation and mounting parts will not touch with any objects both inside and outside of ceiling such as lighting track, etc. (Causes of falling · electrification · fire)
		⊘ Do not dismount or remodel fixtures. (Cause of electrification · fire · falling · broken fixtures)
		⊘ Do not operate with wet hands.
		❗ If you smell smoke, see smoke, or find anything unusual, please turn the switch off and ask construction companies to repair. (Cause of electrification · fire)
⚠ Caution	❗ Make sure the construction will not affect any fire prevention systems such as sprinkler by heat from the fixture. (Causes for improper operation)	

SX-B0352D/CE/W3/RB

Installation Details		Installation Diagram	Caution	
1	Ceiling cut out Cut out a mounting hole.	1 Cut out the ceiling 		
⚠	Wiring connection Please connect according to the description of a power supply.		Wiring diagram 	
	When connecting the driver, careful attention should be paid to connecting + and -.		CAUTION ! Do not reverse polarity ! 	
	Metal part in a cable point, please don't touch with bare hand directly.			
1	Installation to ceiling 1 Bend the installation springs to the fixture side. 2 Hold the springs and insert the fixtures straight to ceiling cut out.			
⚠	Do not touch inner side of the body with bare hands. Use clean soft cloth to clean up and maintain inner side of the body.			
⚠	Make sure the fixture will not touch any objects in the ceiling.			

(Contact)

**Concord Lighting**

5/F, Longbow House, 14-20 Chiswell Street, London, EC1Y 4TW, UK  
Tel : +44-01273-616649

(Manufacturer)

**ModuleX Inc.**

#21 AraiBldg, 1-20-6 Ebisu-Minami Shibuya-ku, Tokyo  
Tel : +81-3-5768-3131