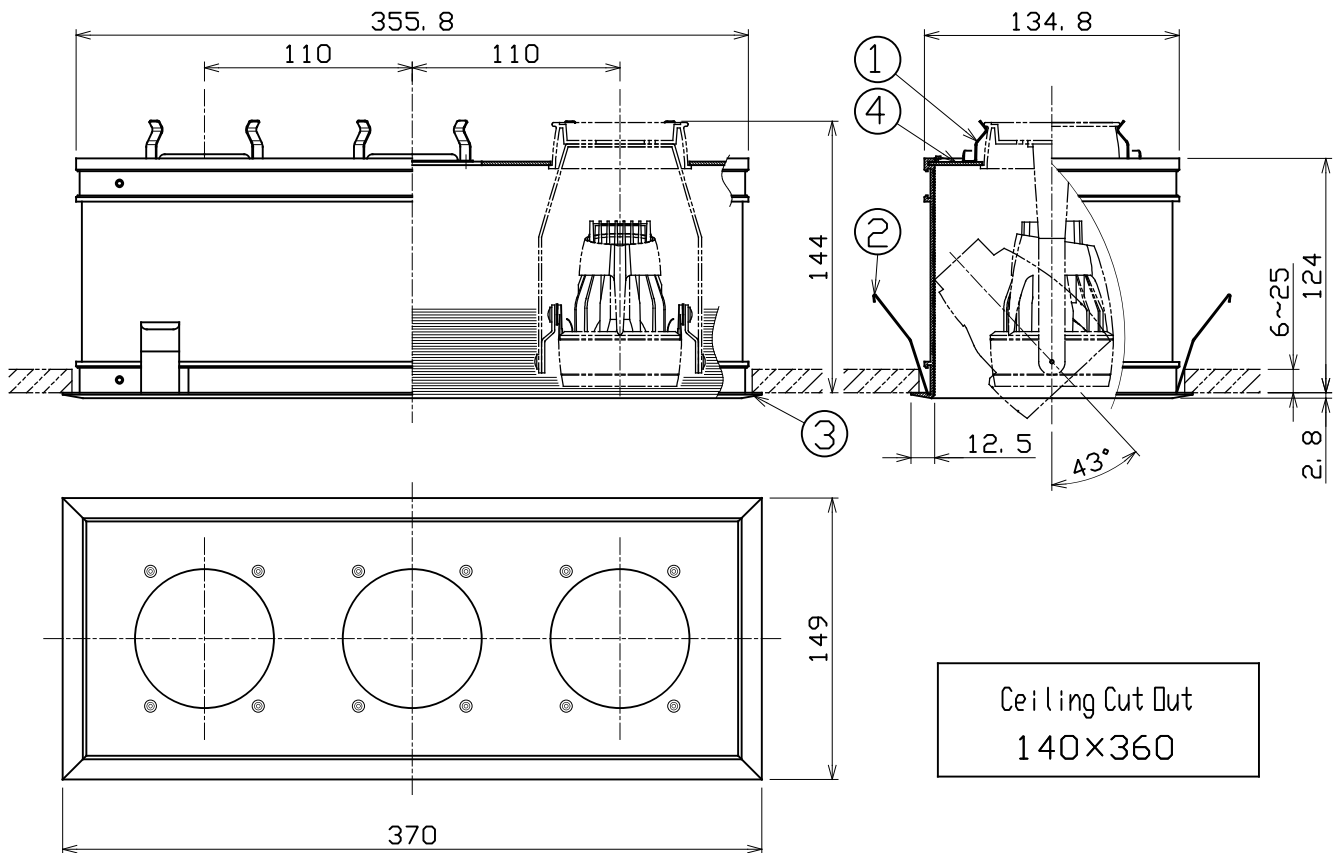


Specification

- Baffle Black
- Frame White, Matte black
- Weight 1.1kg

Product Code  
SX-LG083/BF/W  
SX-LG083/BF/M

Fixture (Sold Separately)  
SL-505/80DFC/CE  
SL-535/80DFC/CE



	PARTS	MATERIAL	REMARK
1	Spring for Fixing Fixture	Stainless	Austempering
2	Attachment Spring	Stainless	Austempering
3	Box	Aluminum Extrusion	Black painted (white for frame/Gray painted)
4	Plate	Aluminum Extrusion	Black painted

**Attention**

- Danger! Do not remodel fixtures.
- Do not cover the fixtures and ballast with the heat insulator etc.
- Be accurate in dimensions of ceiling cut out.
- Please install firmly. Unstable installation may cause risk of drop.

