

SERIES

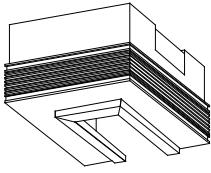
ModuleX

FUNCTION

Linear 150

CAT, No

SX-LB140E

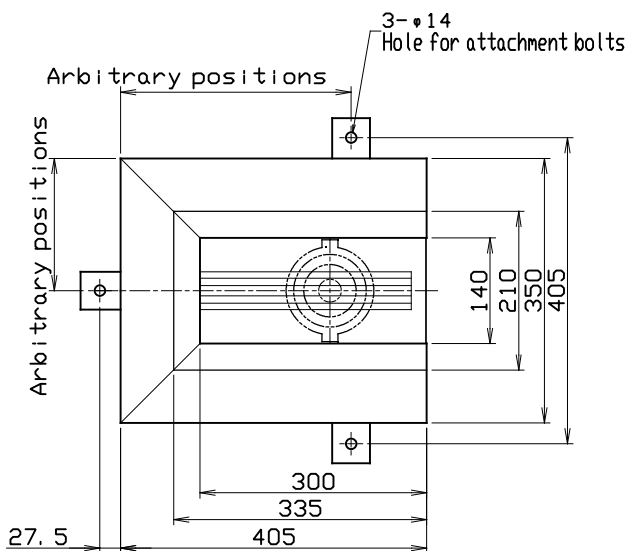
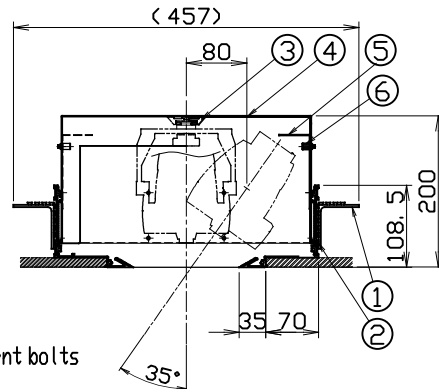
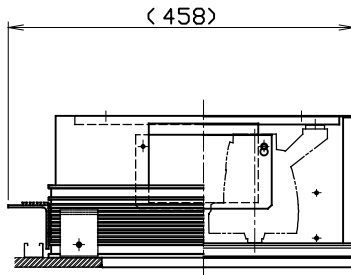


SPECIFICATION

- Frame Inside black
- Weight 4.6kg

PRODUCT CODE
SX-LB140E

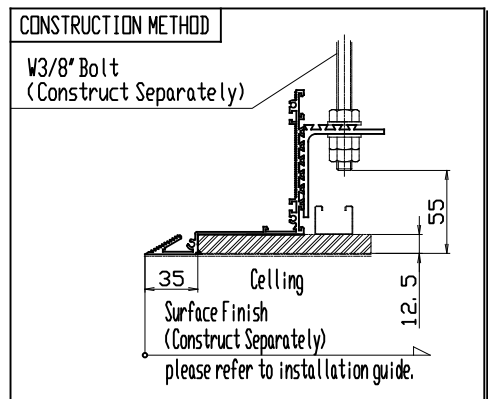
FIXTURE (SOLD SEPARATELY)
SX-400LE/V2/CE
SX-900LE/CE
SX-910LE/CE



| | PARTS | MATERIAL | REMARK |
|---|-----------------------|--------------------|----------------------|
| 1 | Bracket | Aluminum Extrusion | |
| 2 | Body Frame | Aluminum Extrusion | Anodic coating |
| 3 | Slide Rail | Aluminum Extrusion | Black Anodic coating |
| 4 | Body | Zinc Plate | Black |
| 5 | Cover for Maintenance | Zinc Plate | Black |
| 6 | Knurled screw | Brass | Black Finish |

Attention

- There is a risk that it may be injured at the end of a product. Be careful enough of handling.
- Please install correctly. Unstable installation has the danger of fall.
- Please refer to installation guide on how to install.
- Please do not cover with thermal insulation. There is a risk of generating heat and damaging fixture.
- Do NOT dismantle or remodel. Once it is dismantled, it cannot restore with original size.



ModuleX
ModuleX Inc.

SPECIFICATION SHEET

SCALE
1/10

CREATED DATE
13/11/2015

REVISION DATE