

SERIES

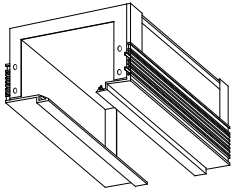
Linear100 **ModuleX**

FUNCTION

Linear100

CAT, No

SX-LB101S/600



SPECIFICATION

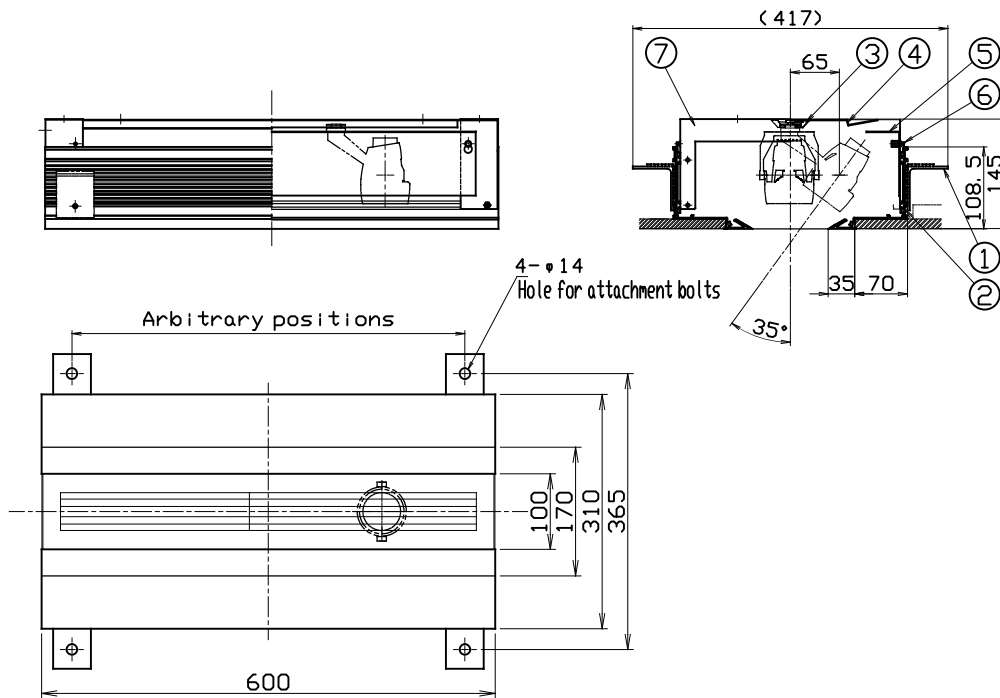
- Frame Inside black
- Weight 4.9kg

PRODUCT CODE

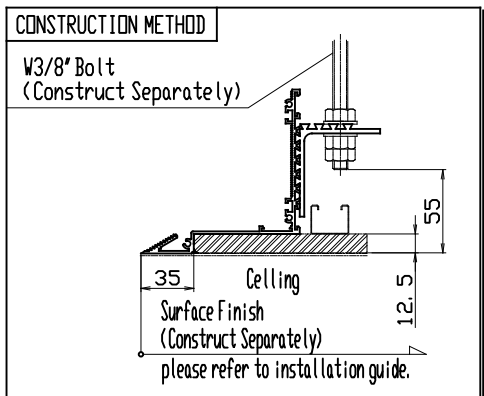
SX-LB101S/600

FIXTURE (SOLD SEPARATELY)

- SX-505LE/CE
- SX-535LE/CE



|   | PARTS                 | MATERIAL           | REMARK               |
|---|-----------------------|--------------------|----------------------|
| 1 | Bracket               | Aluminum Extrusion | _____                |
| 2 | Body Frame            | Aluminum Extrusion | Anodic coating       |
| 3 | Slide Rail            | Aluminum Extrusion | Black Anodic coating |
| 4 | Body                  | Zinc Plate         | Black                |
| 5 | Cover for Maintenance | Zinc Plate         | Black                |
| 6 | Knurled screw         | Brass              | Black Finish         |
| 7 | Connection Frame      | Zinc Plate         | Black                |



**Attention**

- There is a risk that it may be injured at the end of a product. Be careful enough of handling.
- Please install correctly. Unstable installation has the danger of fall.
- Please refer to installation guide on how to install.
- Please do not cover with thermal insulation. There is a risk of generating heat and damaging fixture.
- Do NOT dismantle or remodel. Once it is dismantled, it cannot restore with original size.

**ModuleX**  
ModuleX Inc.

SPECIFICATION SHEET

SCALE  
1/10

CREATED DATE  
13/11/2015

REVISION DATE