

SERIES

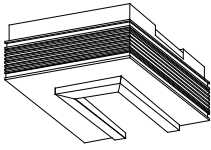
Linear100 **ModuleX**

FUNCTION

Linear100

CAT, No

SX-LB101E

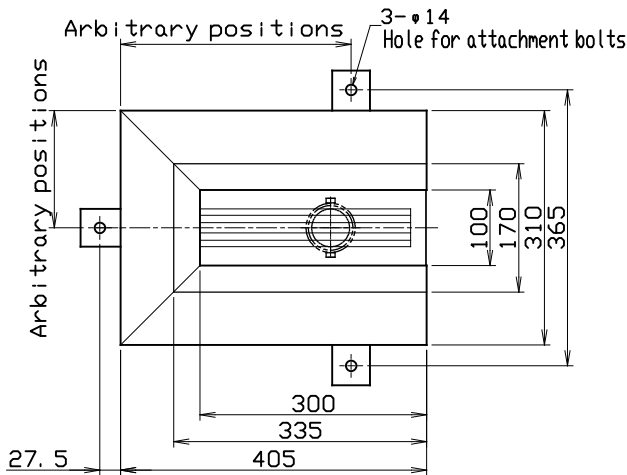
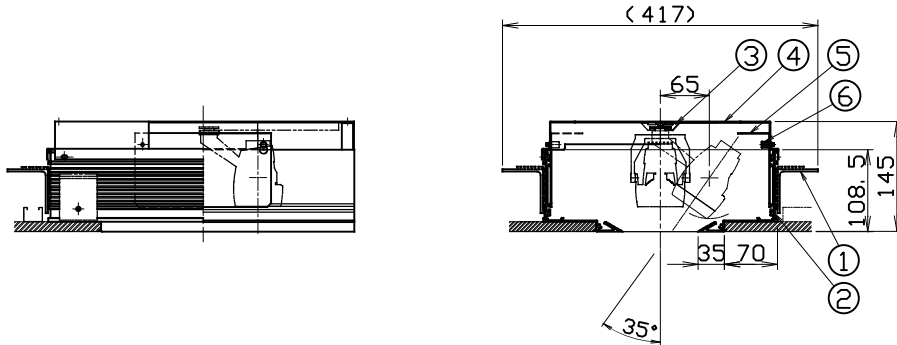


SPECIFICATION

- Frame Inside black
- Weight 3.6kg

PRODUCT CODE  
SX-LB101E

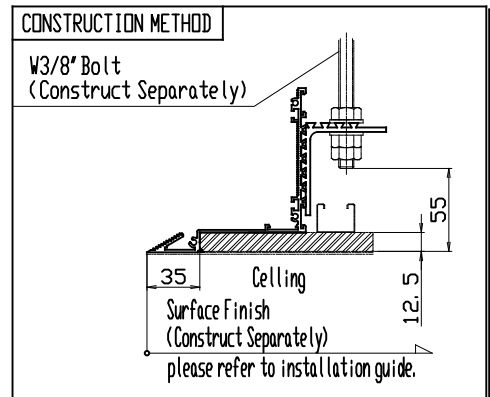
FIXTURE (SOLD SEPARATELY)  
SX-505LE/CE  
SX-535LE/CE



	PARTS	MATERIAL	REMARK
1	Bracket	Aluminum Extrusion	_____
2	Body Frame	Aluminum Extrusion	Anodic coating
3	Slide Rail	Aluminum Extrusion	Black Anodic coating
4	Body	Zinc Plate	Black
5	Cover for Maintenance	Zinc Plate	Black
6	Knurled screw	Brass	Black Finish

**Attention**

- There is a risk that it may be injured at the end of a product. Be careful enough of handling.
- Please install correctly. Unstable installation has the danger of fall.
- Please refer to installation guide on how to install.
- Please do not cover with thermal insulation. There is a risk of generating heat and damaging fixture.
- Do NOT dismantle or remodel. Once it is dismantled, it cannot restore with original size.



<b>ModuleX</b> ModuleX Inc.	SPECIFICATION SHEET	SCALE	CREATED DATE	REVISION DATE
		1/10	13/11/2015	