

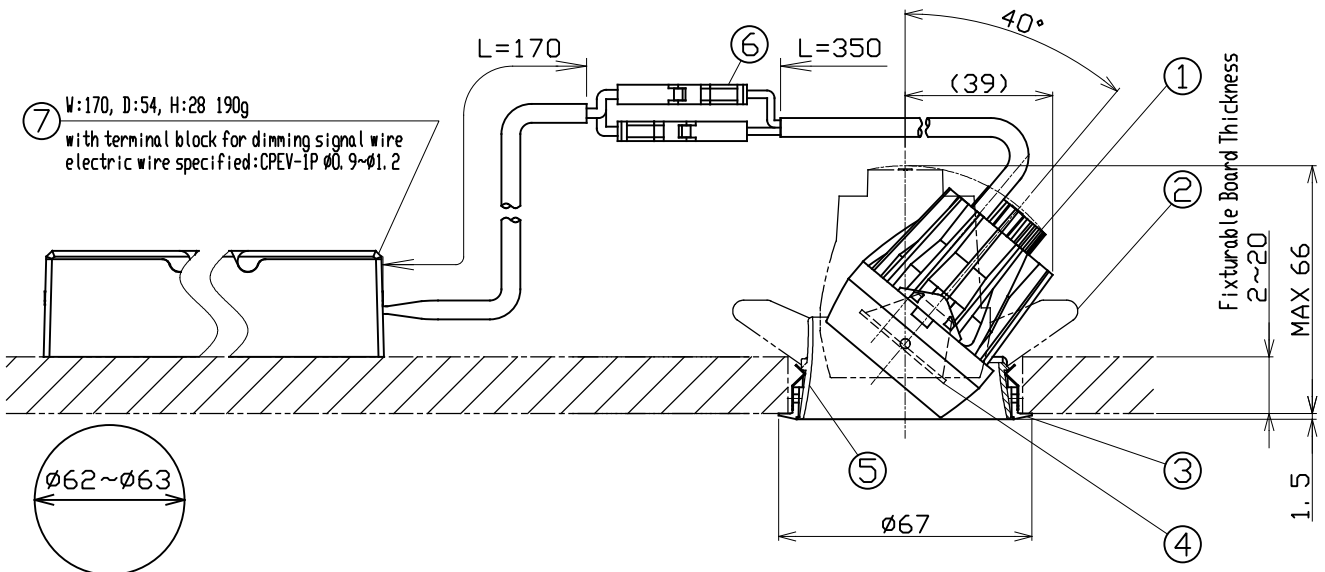
SPECIFICATION

- Light Source LED Module (Mounted)
- Frame White(W), Matte black(M)
- Cone White Cone (WC), Matt black Cone (MC),
- Vertical Aiming Angle MAX 40°
- Horizontal Aiming Angle 355°
- Dimming method 0-10V
- Input Voltage 220V±6%, 240V±6%(Dedicated driver input voltage)
- Input current 0.089A(Dedicated driver input voltage, 220V input)
- 0.087A(Dedicated driver input voltage, 240V input)
- Power Consumption 16.8W(Included dedicated driver, 220V input)
- 17.0W(Included dedicated driver, 240V input)
- *The power consumption is measured based on the measuring method, JIS C 8105-3.
- Dedicated Driver Constant current (50/60Hz shared)
- Fixture Input voltage 19.5V
- Fixture Input current 0.7A
- Dimming signal input current 2mA
- Weight 340g(Includes dedicated driver)

PRODUCT CODE

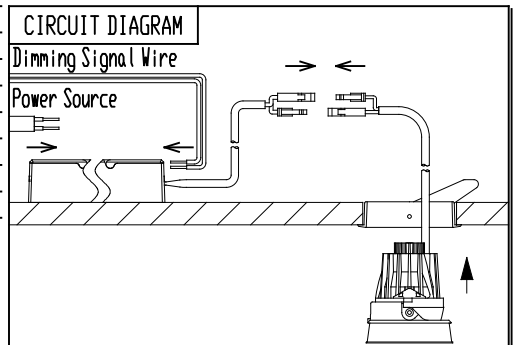
- SX-B0654D/Z102/W/R27B/W·M
- SX-B0654D/Z102/W/R30B/W·M
- SX-B0654D/Z102/W/R35B/W·M
- SX-B0654D/Z102/W/R40B/W·M

[mm]



Ceiling Hole Diameter
※Ø60~Ø61 for plaster board

	PARTS	MATERIAL	REMARK
1	Body	ADC	Acrylic Baking Finish
2	Unit Mounting Spring	Stainless Steel	
3	Frame	ADC	Acrylic Baking Finish
4	Optical Rens	Resin	
5	Cone	ADC	Acrylic Baking Finish
6	Safety Connector	Resin	
7	Dedicated Driver	ADC	0-10V control dimming system



- ATTENTION**
- Do not cover fixtures with the heat insulator etc.
 - Please use constant current driver.
 - There is no sending terminal block on the dedicated driver (primary side).
 - Connect input-side power wire to the approved driver directly.
 - Danger! Do not remodel fixtures.
 - Use within 0°C~35°C ambient temperature range.
 - Because there are variations in the LEDs, emission color and brightness would be different even within the same model.
 - Do not use a radio or TV near the fixture. The unit may generate noise in the radio or TV.
 - Do not cut off power wire. Do not extend with a cable other than the dedicated Extension cord.
 - The height of inside the ceiling have to be 190mm or more to install the driver there.
 - Use 0-10V control dimming system (SR-2830AS-1-10V(Sold separately)) only
 - Keep distance of the fixtures and objects 0.2m or more.
 - This equipment is a ceiling installation exclusive equipment. It can not be mounted on an inclined ceiling or wall.

