

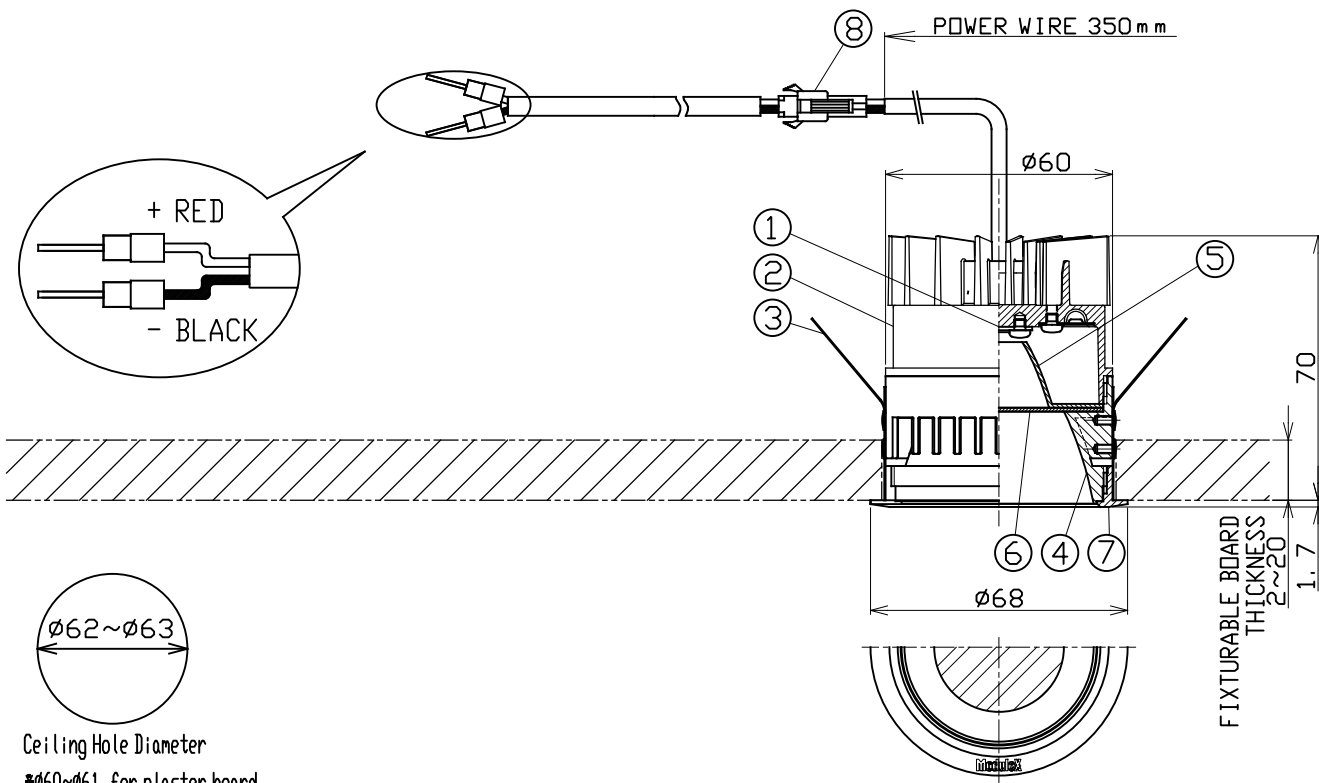
SPECIFICATION

- Light Source LED Module(Mounted)
- Frame White(W), Matte black(M)
- Body Matte black
- CONE White cone(WC)
Matte black cone(MC)
Natural cone(NC)
- Approved Driver Constant current (Sold Separately)
- Fixture Input Voltage 19.5V
- Fixture Input Current 0.7A MAX
- Weight 170g

PRODUCT CODE

- SX-B0352D/CE/W3/R27B/WC/W
- SX-B0352D/CE/W3/R30B/WC/W
- SX-B0352D/CE/W3/R35B/WC/W
- SX-B0352D/CE/W3/R40B/WC/W
- SX-B0352D/CE/W3/R27B/MC·NC/W·M
- SX-B0352D/CE/W3/R30B/MC·NC/W·M
- SX-B0352D/CE/W3/R35B/MC·NC/W·M
- SX-B0352D/CE/W3/R40B/MC·NC/W·M

Unit: mm



Ceiling Hole Diameter
 # $\phi 60 \sim \phi 61$ for plaster board

	PARTS	MATERIAL	REMARK
1	LED Module	—	—
2	Body	ADC	Acrylic Baking Finish
3	Unit Mounting Spring	Stainless Steel	—
4	Cone	ADC	Acrylic Baking Finish(WC·MC) Plating Finish(NC)
5	Active Reflector	Resin	Vacuum Metalizing
6	Fresnel Lenz Filter	Resin	—
7	Frame	ADC	Acrylic Baking Finish
8	Safety Connector	Resin	—

ATTENTION

- Do not cover fixtures with the heat insulator etc.
- Please use constant current driver.
- Connect input-side power wire to the approved driver directly.
- Danger! Do not remodel fixtures.
- Use within 0 $^{\circ}$ ~35 $^{\circ}$ ambient temperature range.
- Emission color and brightness would be different even within the same model.
- Do not touch the filter with bare hands.
- Keep distance of the fixtures and objects 0.1m or more.
- Please do not remove safety connector.
- This equipment is a ceiling installation exclusive equipment. It can not be mounted on an inclined ceiling or wall.

<p>ModuleX[®] ModuleX Inc.</p>	<p>SPECIFICATION SHEET</p>	SCALE	CREATED DATE	REVISION DATE
		1/2	28/12/2017	