

SERIES

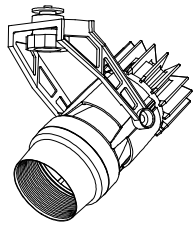
ModuleX[®] 100

FUNCTION

for NED downlight
for LINEAR ModuleX

CAT. No

SX-910LE/CE



SPECIFICATION

- Light Source LED Module (Mounted)
- Light Distribution N=Narrow, M=Medium
- Body Matte black
- Vertical Aiming Angle 90°
- Horizontal Aiming Angle 360°
- Approved Driver Constant current (Sold Separately)
- Fixture Input Voltage 38. 6V
- Fixture Input Current 0. 7A MAX
- Weight 440g

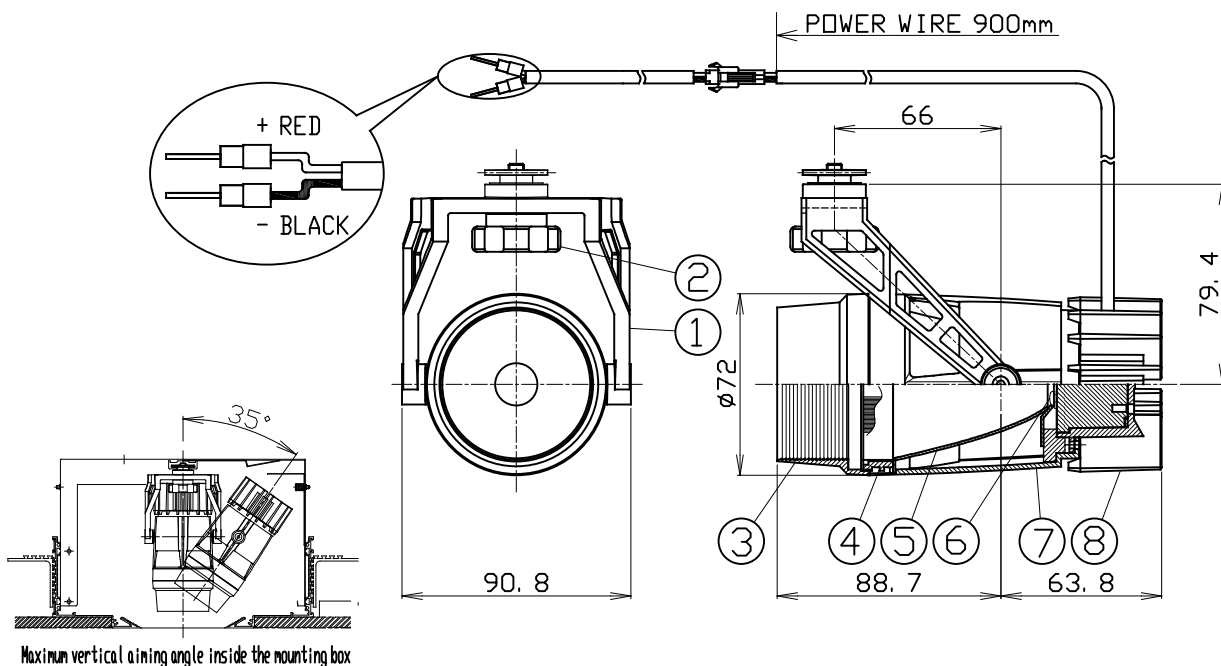
PRODUCT CODE

- | | |
|--------------------|--------------------|
| SX-910LE/CE/N/R27B | SX-910LE/CE/M/R27B |
| SX-910LE/CE/N/R30B | SX-910LE/CE/M/R30B |
| SX-910LE/CE/N/R35B | SX-910LE/CE/M/R35B |
| SX-910LE/CE/N/R40B | SX-910LE/CE/M/R40B |

OPTION (1 filter attachable)

- | | |
|--|-------------|
| Diffusion Lens | SA-3DL03 |
| Wide Diffusion Lens | SA-3DF01 |
| Spread Lens | SA-3SP01 |
| Honeycomb Louver | SA-3HC01 |
| Conversion Filter | SA-3CV02~03 |
| Edge control Filter | SA-3EC01 |
| Sharpener (available only for narrow distribution) | SA-3SH01 |

Unit: mm



PARTS	MATERIAL	REMARK
1 Arm	ADC	Acrylic Baking Finish
2 Grip Bolt	Resin	Black (M6)
3 Hood	ADC	Acrylic Baking Finish
4 Attachment Ring	ADC	Acrylic Baking Finish
5 Reflector	Aluminum	
6 LED Module		
7 Body	ADC	Acrylic Baking Finish
8 Socket Holder	ADC	Acrylic Baking Finish

- ATTENTION**
- Danger! Do not remodel fixtures.
 - Use within 0t~35℃ ambient temperature range.
 - Remove the hood downward.
 - Use the Approved driver only.
 - Do not cover fixtures with the heat insulator etc.
 - Emission color and brightness would be different even within the same model.
 - Connect input-side power wire to the Approved driver directly.
 - Keep distance of the fixtures and objects 0. 2m or more.
 - Make sure the adapted-mounting (LINEAR BOX).
 - Please use constant current driver.
 - To remove heat, place an air hole when installing the fixture in a fitting.
(Place air holes equally in the upper side of the fitting. Total aperture size should be more than 5% of the fitting's surface)

ModuleX[®]
ModuleX Inc.

SPECIFICATION SHEET

SCALE
1 / 3

CREATED DATE
28/12/2017

REVISION DATE