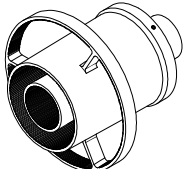
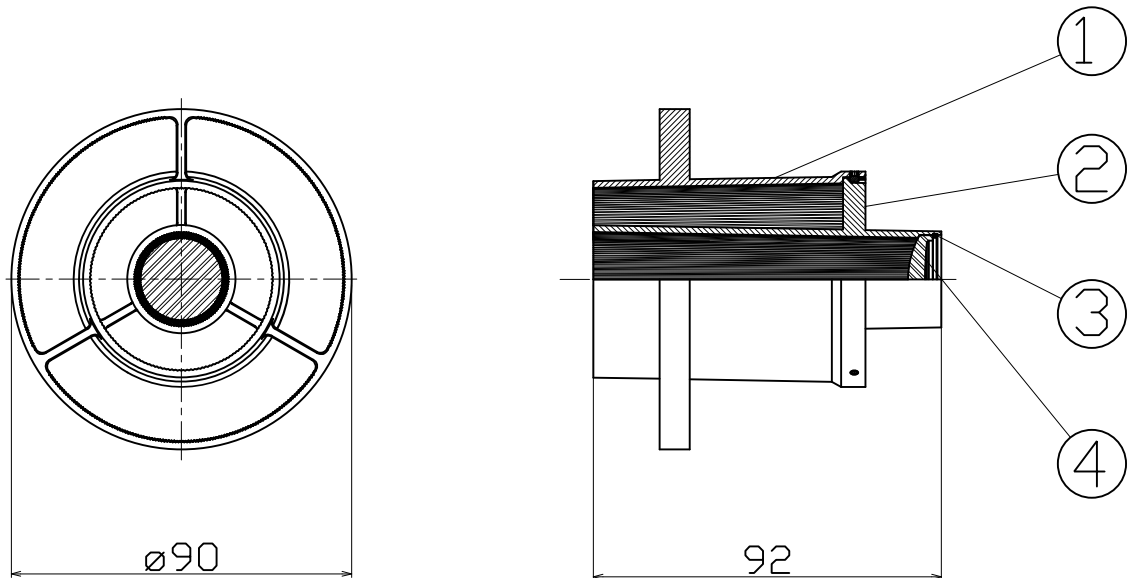


SERIES	FUNCTION	CAT, No.
ModuleX Filter Lighting	Sharpener	SA-4SH01

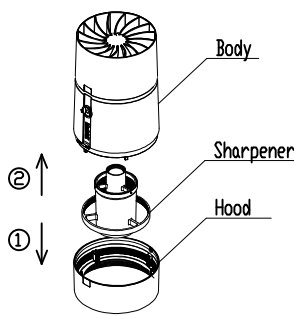
	SPECIFICATION <ul style="list-style-type: none"> ● MATERIAL ADC12 ● WEIGHT 115.6g 	PRODUCT CODE SA-4SH01
		APPLICABLE PRODUCTS SX-B2655H/CE/N SL-B2655H/CE/N



	PARTS	MATERIAL	REMARK
1	Body(outer)	ADC12	Acrylic Baking Finish
2	Body(inner)	ADC12	Acrylic Baking Finish
3	Mounting Spring	SWP-A	Plating Finish
4	Lens	Hardened Glass	

- ATTENTION**
- Do not touch lens with bare hands.
 - Danger! Do not remodel fixtures.
 - Use in combination with specified fixtures.

INSTALLATION METHOD



Please attach the sharpener to the hood first, then to the fixture body.

	SPECIFICATION SHEET	SCALE	CREATED DATE	REVISION DATE
		1/2	13/11/2015	