

**SPECIFICATION**

- Single Model
- Light Source LED Module (Mounted)
- Color Temperature 2400K/2700K/3000K/3500K/4000K
- CRI(Ra) Typ 83(2400K)  
Typ 93(2700K, 3000K, 3500K, 4000K)
- Light Distribution CDS15, CDS45, CDS90
- Length 1200mm(1200)
- Input Voltage 100V±6%, 200V±6%, 242V±6%  
(Exclusive Driver input voltage)
- Input Current 0.344A(100V Input)  
0.178A(200V Input)  
0.153A(242V Input)
- Fixture Input Voltage 24V
- Fixture Input Current 1.23A
- Dimming Control PWM or 0-10V
- Dimming Range 3%-100%
- Weight 1450g
- Attached Safety Wire

**PRODUCT CODE**

- MPP-10/0600/COS15-45-90/S/24K
- MPP-10/0600/COS15-45-90/S/24K
- MPP-10/0600/COS15-45-90/S/24K
- MPP-10/0600/COS15-45-90/S/24K
- MPP-10/0600/COS15-45-90/S/24K

**Mounting(Sold Separately)**

- Mounting Frame MMT-10/1200/SF/W·B
- Mounting Plate MMT-10/1200/MP

**Power connection DC cable (Sold Separately)**  
MPP-OP/DC01/1000-3000

**Exclusive Driver(Sold Separately)**

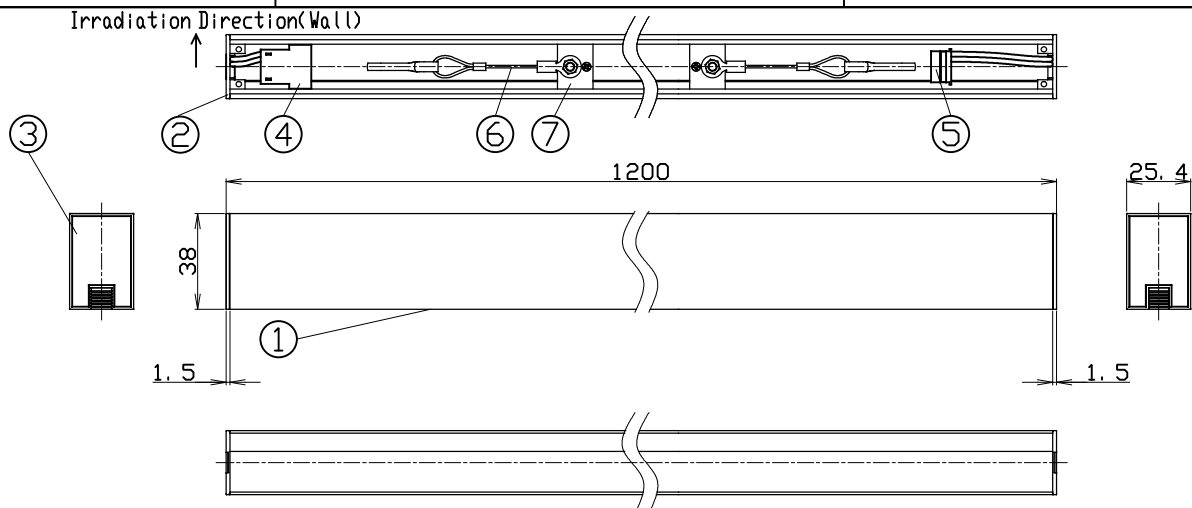
**CONNECTABLE LENGTH/LED DRIVERS**

Model NO.	NTC-E060CV0241	NTC-E180CV0241
Max. series	2.4m	2.4m
Max. parallel	2.4m	7.2m
Max. power	60W	180W

#Please use Power connection cable for Wall washer.

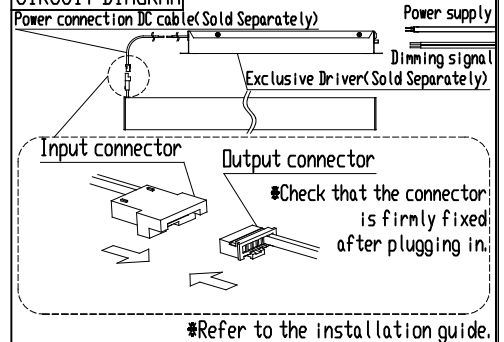
**Dimmer(Sold Separately)**

DVSTV-XX



PARTS	MATERIAL	REMARK
1 Body	Aluminum	Anodize
2 End cap	ADC	Acrylic Baking Finish, Black
3 End cover	Resin	Black
4 Input connector	Resin	Female type
5 Output connector	Resin	Male type
6 Safety Wire	Stainless Steel	
7 Safety Wire Plate	Steel plate	

**CIRCUIT DIAGRAM**



**ATTENTION**

- Caution! Do not remodel fixtures.
- The fixture is for indoor use only in general conditions. If can not be used in high humidity conditions.
- Emission color and brightness might be different even within the same model.
- Make sure that the installation surface of the fixture has no unevenness before installation.
- Keep distance of the fixtures and objects of 0.2m or more.
- There is a risk that it may be injured at the edge of the product may be damaged. Be careful when handling the fixture.
- Do not cover fixtures with heat insulator and acoustic materials.
- Use within 0°~35° ambient temperature range.
- Do not use a radio or TV near the fixtures. The unit may generate noise in the radio or TV.
- Ensure that the safety wire is connected to the safety wire mounting bracket.

- Do not install on places that are unstable or have no reinforcement.
- This equipment is a ceiling installation exclusive equipment. It can not be mounted on an inclined ceiling or wall.
- Do not install in any directions other than downward.
- Even if this product is used indoors, do not use the fixture near places where there would be anything that contains sulfur. (Some foods, medicines, paper products, rubber products and exhaust gas from vehicles may contain sulfur)
- In order to use it safely, please be sure to read the installation guide.