

SPECIFICATION

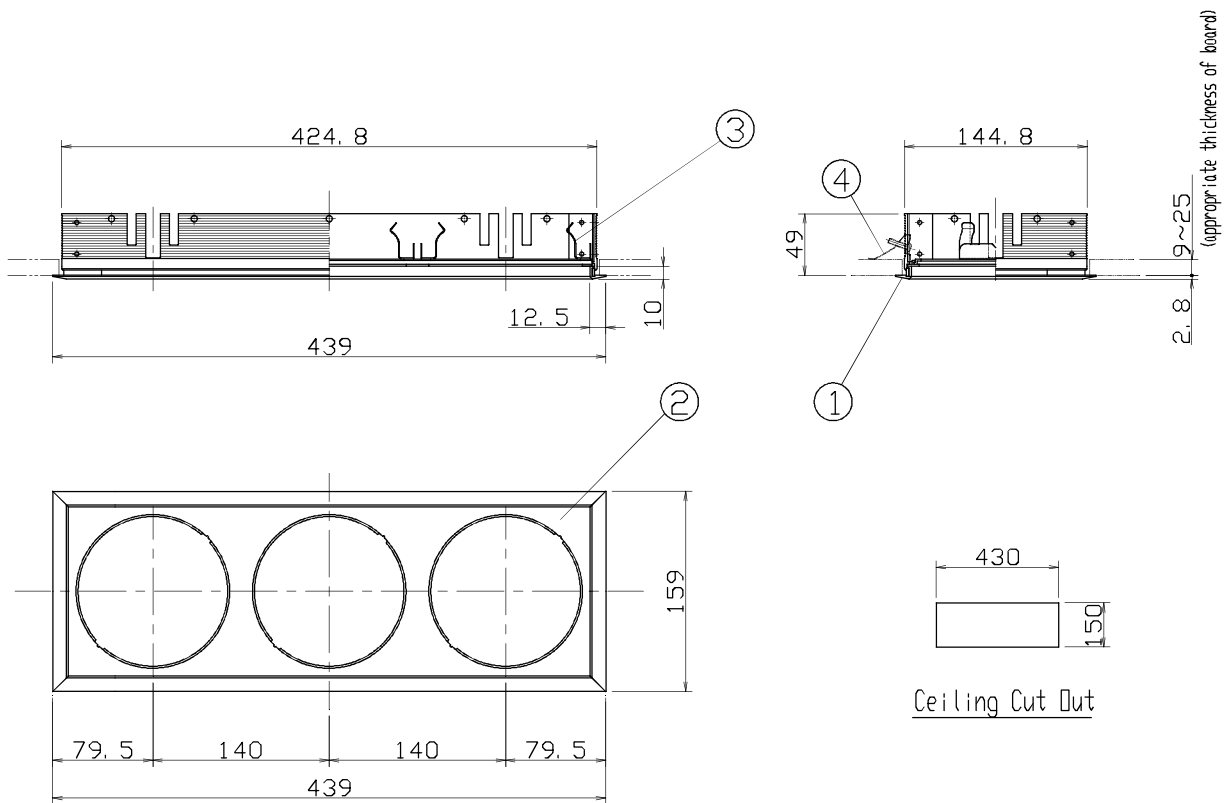
- For 3 fixture
- Frame White, Matte Black
- Top board White, Matte Black
- Weight 1.1Kg

PRODUCT CODE

- MMT-133/CWF/01
- MMT-133/CMF/01

OPTION

- Cover Plate SA-PC2/White
- SA-PC2/Gray



	PARTS	MATERIAL	REMARK
1	Frame	Aluminum	Acrylic Baking Finish
2	Top board	Aluminum	Acrylic Baking Finish
3	Spring for attaching fixture	SUS	Material-origin color
4	Unit Mounting Spring	SUS	Material-origin color

**Attention**

- Fasten the fixture with mounting spring firmly.
- Danger ! Do not remodel fixtures.
- Do not cover fixtures with the heat insulator etc.

<p><b>ModuleX</b> ModuleX Inc.</p>	<p>SPECIFICATION SHEET</p>	SCALE	CREATED DATE	REVISION DATE
		1/6	13/11/2015	