

SPECIFICATION

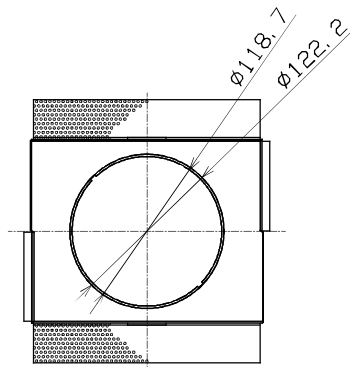
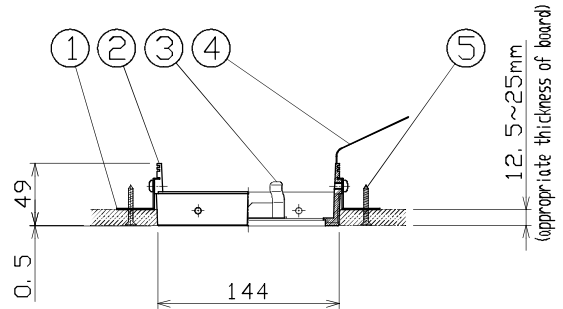
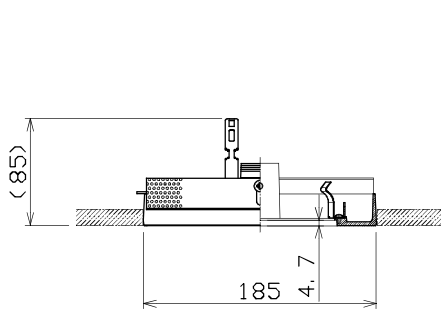
- Frame Material
- Weight 300g

PRODUCT CODE

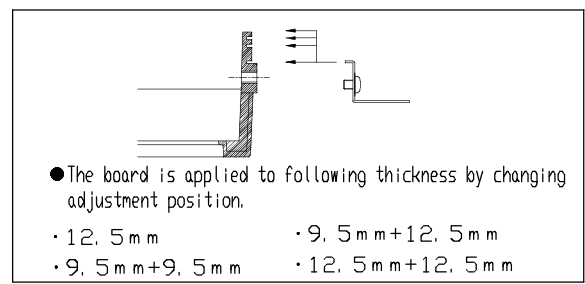
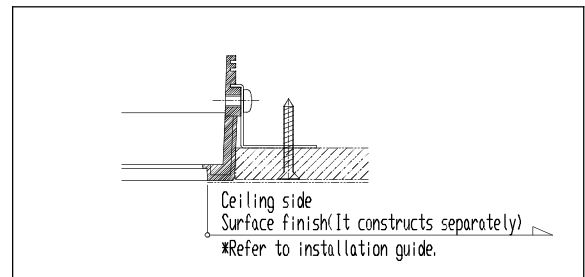
MMT-131/TLF/O1

OPTION

Cover Plate SA-PC2/White·Gray



Ceiling Cut Out
146 × 187



	PARTS	MATERIAL	REMARK
1	Attachment	Aluminum Punching	Material-origin color
2	Frame	ADC	Material-origin color
3	Spring for attaching fixture	Stainless	Material-origin color
4	Spring for hanging safety wire	Stainless	Material-origin color
5	Drilling tapped screw	Iron	Plating

Attention

- Danger: Do not remodel fixtures.
- Do not cover the fixtures and ballast with the heat insulator etc.
- Use lawn for construction. If not, it will cause some crack.
- Refer to the installation guide for the construction method.
- Make sure to use provided number of drilling tapped screws.
- Install the drilling tapped screws as close as to the edge of box.
- Be accurate in dimensions of ceiling cut out.

