

SPECIFICATION

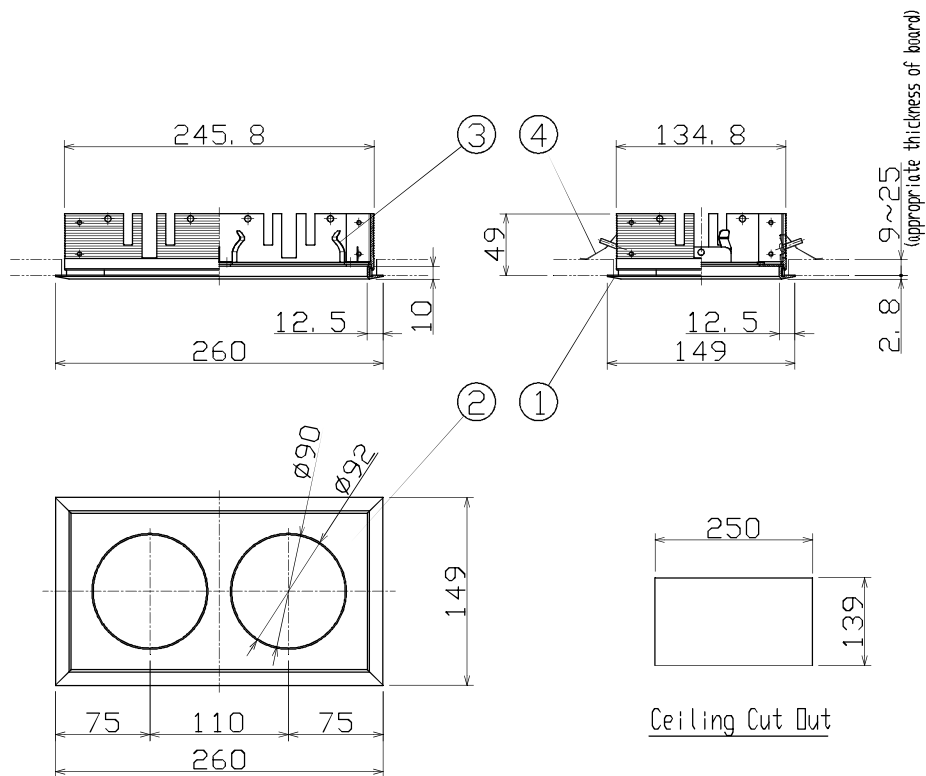
- For 2 fixture
- Frame White, Dark Gray
- Top board White, Dark Gray
- Weight 700g

PRODUCT CODE

MMT-102/CWF/01
SX-LD102/GP/Gray

OPTION

Cover Plate SA-PC3/White
SA-PC3/Gray



	PARTS	MATERIAL	REMARK
1	Frame	Aluminum	Acrylic Baking Finish
2	Top board	Aluminum	Acrylic Baking Finish
3	Spring for attaching fixture	SUS	Material-origin color
4	Unit Mounting Spring	SUS	Material-origin color

Attention

- Fasten the fixture with mounting spring firmly.
- Danger ! Do not remodel fixtures.
- Do not cover fixtures with the heat insulator etc.