

SPECIFICATION

- Frame Material-origin color
- Weight 700g

PRODUCT CODE

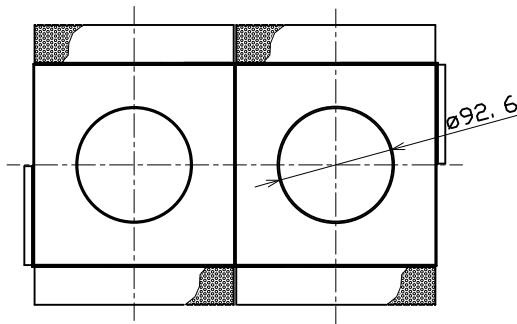
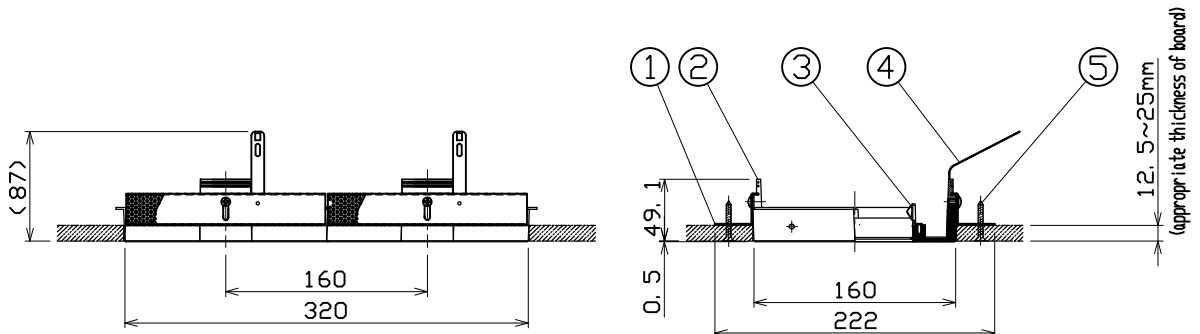
MMT-102/TLF/02

OPTION

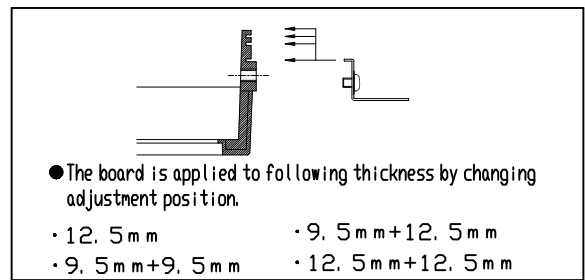
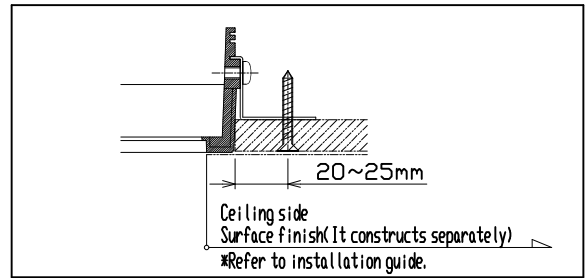
Cover Plate SX-CP100/White·Gray

The specification of this product is Japanese.

UNIT mm



Ceiling Cut Out  
322×162



|   | PARTS                          | MATERIAL          | REMARK                |
|---|--------------------------------|-------------------|-----------------------|
| 1 | Attachment                     | Aluminum Punching | Material-origin color |
| 2 | Frame                          | ADC               | Material-origin color |
| 3 | Spring for attaching fixture   | Stainless         | Material-origin color |
| 4 | Spring for hanging safety wire | Stainless         | Material-origin color |
| 5 | Drilling tapped screw          | Iron              | Plating               |

Attention

- Danger: Do not remodel fixtures.
- Do not cover the fixtures and ballast with the heat insulator etc.
- Use lawn for construction. If not, it will cause some crack.
- Refer to the installation guide for the construction method.
- Drilling tapped screw is bundled by a product.
- Make sure to use provided number of drilling tapped screws.
- Install the drilling tapped screws in the location of the 20-25mm from the edge of a box.
- Be accurate in dimensions of ceiling cut out.

