

SPECIFICATION

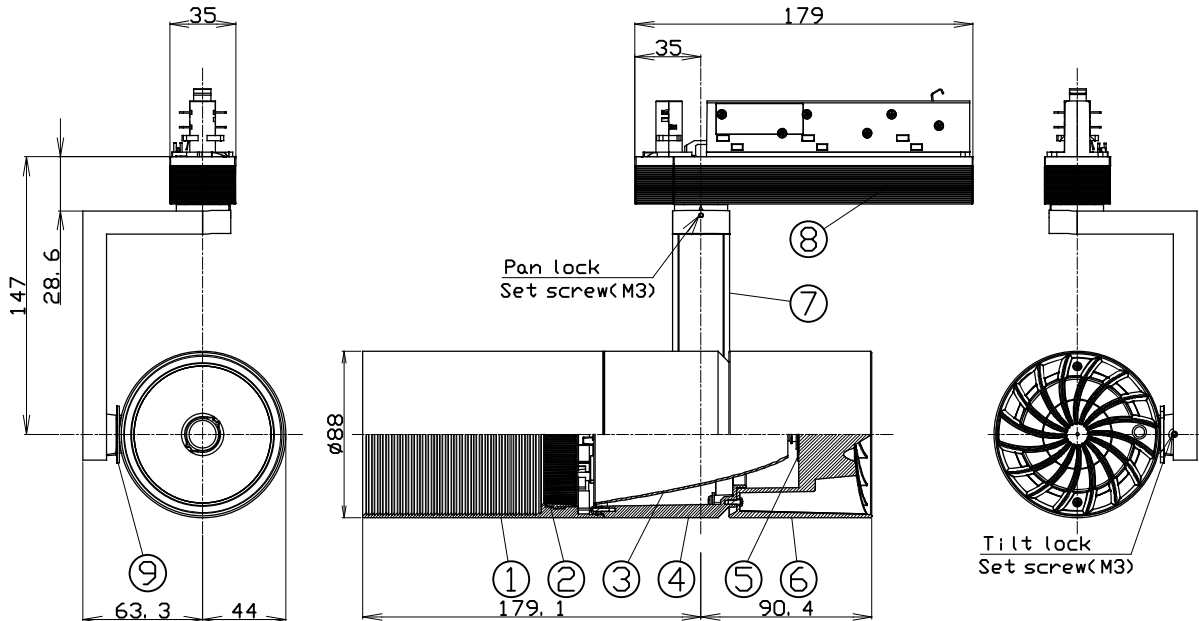
- Light Source LED Module (Mounted)
- Body White(W). Matte black(M). Silver(S)
- Light Distribution Narrow(N). Medium(M)
- Vertical aiming angle Upper10°. Lower90°
- Horizontal aiming angle 380°
- Input Voltage 220V±6%(Dedicated driver input voltage)
- Input current 0.272A(Dedicated driver input voltage, 220V input)
- Power Consumption 55.0W(Included dedicated driver, 220V input)
- Dedicated Driver Constant current (< 50/60Hz shared)
- Weight 1.2kg
- tool for pan/tilt lock is equipped
- Dimming Control 0-10V
- Dimming Range 3%-100%

PRODUCT CODE

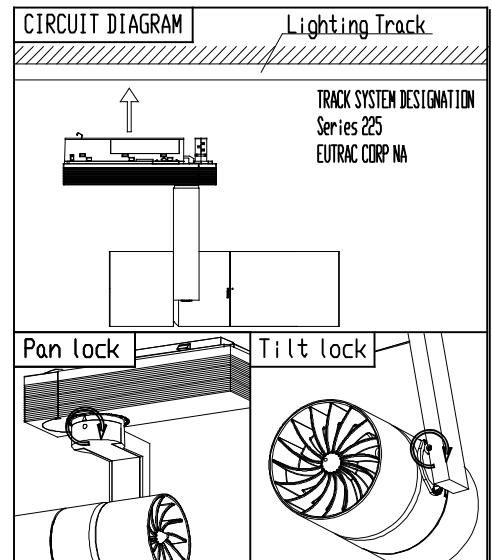
- MMP-130S/5H/W·M·S/1E/N/40B27/Z2/3
- MMP-130S/5H/W·M·S/1E/N/40B30/Z2/3
- MMP-130S/5H/W·M·S/1E/N/40B35/Z2/3
- MMP-130S/5H/W·M·S/1E/N/40B40/Z2/3
- MMP-130S/5H/W·M·S/1E/M/40B27/Z2/3
- MMP-130S/5H/W·M·S/1E/M/40B30/Z2/3
- MMP-130S/5H/W·M·S/1E/M/40B35/Z2/3
- MMP-130S/5H/W·M·S/1E/M/40B40/Z2/3

OPTION

- Full Spread Lens Filter MLA-130/SF01
- Semi Spread Lens Filter MLA-130/SS01
- Full Diffuser Lens Filter MLA-130/DF01
- Semi Diffuser Lens Filter MLA-130/DS02
- Sharpener Lens MLA-130/SO01
(available only for narrow distribution)
- Edge Control Lens Filters MLA-130/ECO2



PARTS	MATERIAL	REMARK
1 Hood	ADC	Acrylic Baking Finish
2 Option Holder	ADC	Acrylic Baking Finish
3 Reflector	Aluminum	
4 Body	ADC	Acrylic Baking Finish
5 LED Module		
6 Socket Holder	ADC	Acrylic Baking Finish
7 Arm	ADC	Acrylic Baking Finish
8 Dedicated Driver		0-10V control dimming system
9 Tilt Protractor	Resin	



ATTENTION

- Emission color and brightness would be different even within the same model.
- Do not use a radio or TV near the fixtures. The unit may generate noise in the radio or TV.
- Danger! Do not remodel fixtures.
- Please do not install to the wall or floor
- Use within 0°C~35°C ambient temperature range
- Use 0-10V control dimming system (DVSTV-XX(Sold separately)) only.
- Keep distance of the fixtures and objects 0.3m or more.
- To remove heat, place an air hole when installing the fixture in a fitting.
(Place air holes equally in the upper side of the fitting. Total aperture size should be more than 5% of the fitting's surface)
- Please do not move the lamp in a state in which the pan and tilt locks.
- Please do not unfasten the set crew for pan/tilt lock too much. Otherwise, it may be dropped and lost.
- This fixture can be attached to the 3 circuit rails, but only 1 circuit can be used for power supply.
- Please do not attach the fixture to the 3 circuit rails in which more than 1 circuit are occupied for power supply. It may cause tripping the circuit breaker.