

SPECIFICATION

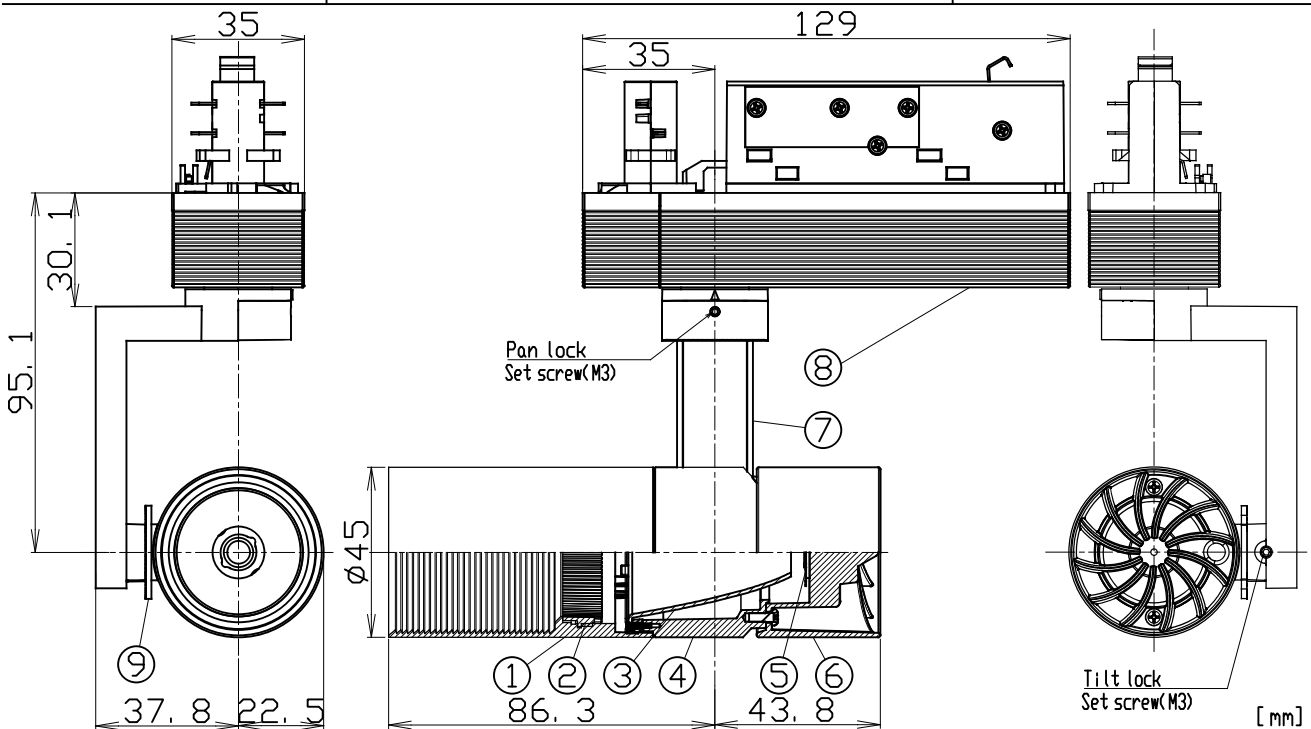
- Light Source LED Module (Mounted)
- Body White(W), Matte black(M), Silver(S)
- Light Distribution Narrow(N), Medium(M)
- Vertical aiming angle Upper10°, Lower90°
- Horizontal aiming angle 380°
- Input Voltage 220V±6%(Dedicated driver input voltage)
- Input current 0.071A(Dedicated driver input voltage, 220V input)
- Power Consumption 15.1W(Included dedicated driver, 220V input)
- Dedicated Driver Constant current (50/60Hz shared)
- Weight 395g
- tool for pan/tilt lock is equipped
- Dimming Control 0-10V
- Dimming Range 3%-100%

PRODUCT CODE

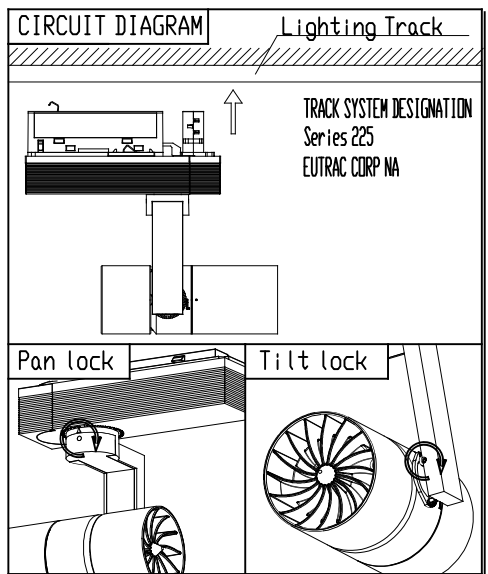
- MMP-060S/5H/W·M·S/1E/N/10A24/Z1/3
- MMP-060S/5H/W·M·S/1E/N/10A27/Z1/3
- MMP-060S/5H/W·M·S/1E/N/10A30/Z1/3
- MMP-060S/5H/W·M·S/1E/N/10A35/Z1/3
- MMP-060S/5H/W·M·S/1E/N/10A40/Z1/3
- MMP-060S/5H/W·M·S/1E/M/10A24/Z1/3
- MMP-060S/5H/W·M·S/1E/M/10A27/Z1/3
- MMP-060S/5H/W·M·S/1E/M/10A30/Z1/3
- MMP-060S/5H/W·M·S/1E/M/10A35/Z1/3
- MMP-060S/5H/W·M·S/1E/M/10A40/Z1/3

OPTION

- Full Diffuser Lens Filter MLA-060/DF01
- Semi Diffuser Lens Filter MLA-060/DS01
- Full Spread Lens Filter MLA-060/SF01
- Semi Spread Lens Filter MLA-060/SS01
- Edge Control Lens Filters MLA-060/EC01
- Sharpeners Lens MLA-060/SH01
(available only for narrow distribution)



PARTS	MATERIAL	REMARK
1 Hood	ADC	Acrylic Baking Finish
2 Option Holder	ADC	Acrylic Baking Finish
3 Reflector	Aluminum	
4 Body	ADC	Acrylic Baking Finish
5 LED Module		
6 Socket Holder	ADC	Acrylic Baking Finish
7 Arm	ADC	Acrylic Baking Finish
8 Dedicated Driver		0-10V control dimming system
9 Tilt Protractor	Resin	



ATTENTION

- Emission color and brightness would be different even within the same model.
- Do not use a radio or TV near the fixtures. The unit may generate noise in the radio or TV.
- Danger! Do not remodel fixtures.
- Please do not install to the wall or floor
- Use within 0℃~35℃ ambient temperature range
- Use 0-10V control dimming system (DVSTV-XX(Sold separately))only.
- Keep distance of the fixtures and objects 0.1m or more.
- To remove heat, place an air hole when installing the fixture in a fitting.
(Place air holes equally in the upper side of the fitting. Total aperture size should be more than 5% of the fitting's surface)
- Please do not move the fixture body under the situation the pan/tilt lock works.
- Please do not unfasten the set crew for pan/tilt lock too much. Otherwise, it may be dropped and lost.
- This fixture can be attached to the 3 circuit rails, but only 1circuit can be used for power supply.
- Please do not attach the fixture to the 3 circuit rails in which more than 1 circuit are occupied for power supply. It may cause tripping the circuit breaker.