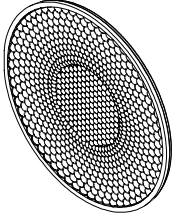
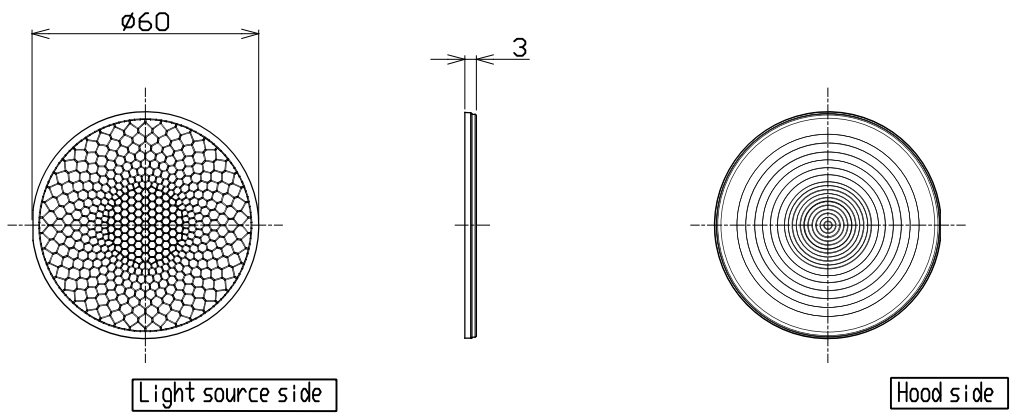


SERIES	FUNCTION	CAT, NO
ModuleX Filter Lighting	Diffuser Lens Filter	MLA-100/DS02

	SPECIFICATION ● WEIGHT 8g	PRODUCT CODE MLA-100/DS02													
	APPLICABLE PRODUCTS <table border="0"> <tr> <td>MMP-100S/1H</td> <td>MMP-100D/1H</td> </tr> <tr> <td>MMP-100S/3H</td> <td>MMP-100D/3H</td> </tr> <tr> <td>MMP-100S/5H</td> <td>MMP-100D/5H</td> </tr> <tr> <td>MMP-100S/SH</td> <td>MMP-100D/SH</td> </tr> <tr> <td>MMP-100A/WC</td> <td>MMP-100A/MC</td> </tr> <tr> <td>MMP-100A/MC</td> <td></td> </tr> <tr> <td>MMP-100A/CC</td> <td></td> </tr> </table>		MMP-100S/1H	MMP-100D/1H	MMP-100S/3H	MMP-100D/3H	MMP-100S/5H	MMP-100D/5H	MMP-100S/SH	MMP-100D/SH	MMP-100A/WC	MMP-100A/MC	MMP-100A/MC		MMP-100A/CC
MMP-100S/1H	MMP-100D/1H														
MMP-100S/3H	MMP-100D/3H														
MMP-100S/5H	MMP-100D/5H														
MMP-100S/SH	MMP-100D/SH														
MMP-100A/WC	MMP-100A/MC														
MMP-100A/MC															
MMP-100A/CC															



	PARTS	MATERIAL	REMARK
1	Diffuser Lens Filter	Resin	

ATTENTION

- Danger! Do not remodel fixtures.
- Use in combination with specified fixtures.
- Please refer to the Installation guide of applicable products.

	SPECIFICATION SHEET	SCALE	CREATED DATE	REVISION DATE
		1/2	31/JAN/2018	