

SERIES

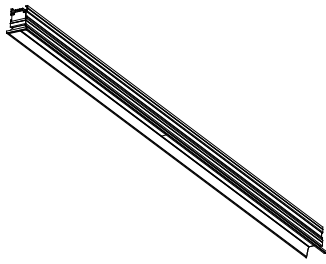
**Fine liner**

FUNCTION

FOUNDATION Flood  
FOUNDATION Spread

CAT. No

MGP-F12F/WC/FLE/F·S/30A35/DL/3



**SPECIFICATION**

- Light Source LED Module (Mounted)
- Light Distribution F=Flood, S=Spread
- Cone White Cone(WC)
- Color Temperature 3500K
- Dedicated Driver Constant current ( 50/60Hz shared)
- Fixture Input Voltage 47. 6V
- Fixture Input Current 0. 7A (MAX)
- Weight 1. 5kg
- Attached Safety Wire

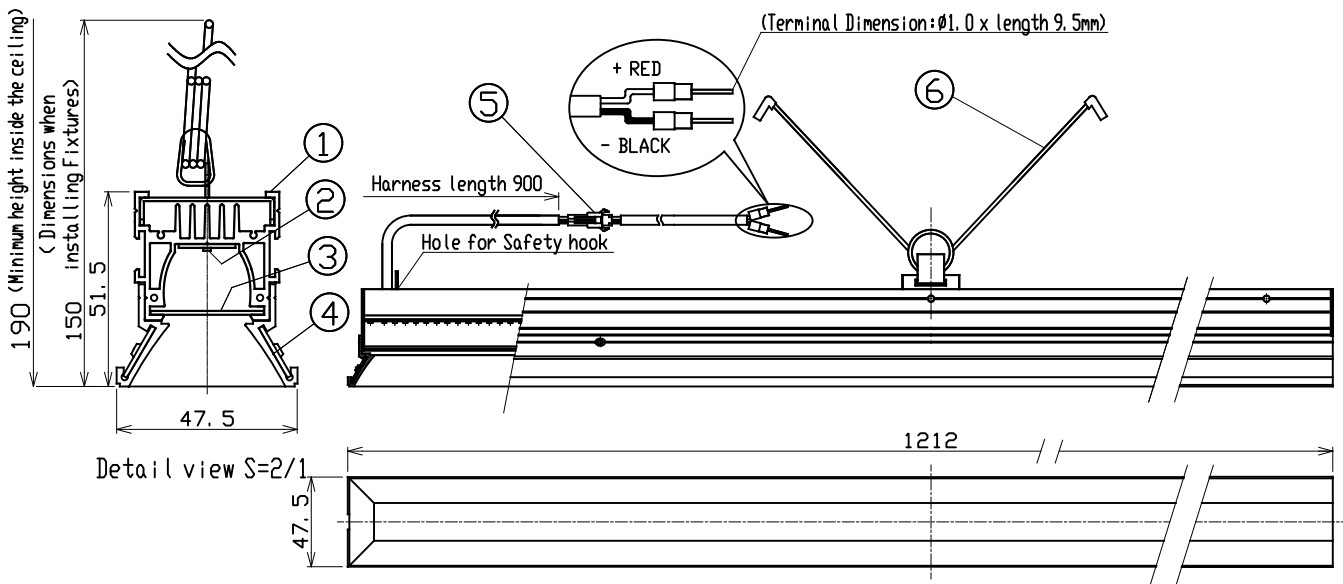
**PRODUCT CODE**

MGP-F12F/WC/FLE/F/30A35/DL/3  
MGP-F12F/WC/FLE/S/30A35/DL/3

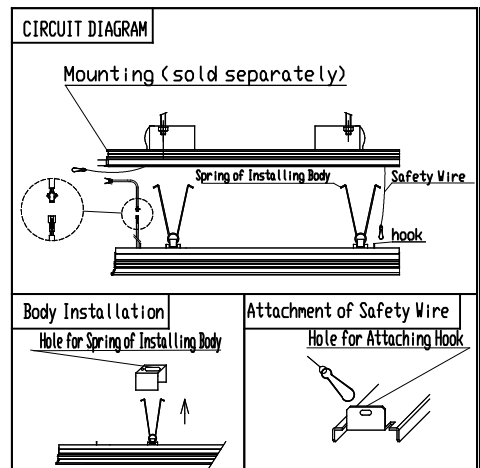
Applied Mounting(sold separately)

Single frame: MMT-F12/EFW  
MMT-F12/EMF

[ mm ]



PARTS	MATERIAL	REMARK
1 Body	Aluminum Extrusion	Acrylic Baking Finish
2 Light Source	—	LED Module (Mounted)
3 Filter	Polycarbonate	—
4 Cone	Aluminum Extrusion	Acrylic Baking Finish
5 Safty connector	Resin	—
6 Unit Mounting Spring	Stainless Steel	—



**Attention**

- Do not cover fixtures with the heat insulator etc.
- Use the constant current driver only.
- Connect input-side power wire to the Approved driver directly.
- Danger! Do not remodel fixtures.
- Use within 0℃~35℃ ambient temperature range.
- Emission color and brightness would be different even within the same model.
- Do not use a radio or TV near the fixtures. The unit may generate noise in the radio or TV.
- Keep distance of the fixtures and objects 0. 2m or more.
- There is a risk that it may be injured at the edge of a product. Be careful enough of handling.
- Please surely fix the installation. Unstable installation may bring the falling.
- Never disassemble or remodel. Once disassembled, the original dimensions cannot be restored.
- Please surely connect safty wire attached to the applied Mounting to hole for attaching hook.
- Please use the 'class2' driver. In that case, grounding is not required.
- The height of inside the ceiling have to be 190mm or more to install fixtures.

**ModuleX**  
ModuleX Inc.

SPECIFICATION SHEET

SCALE  
1 / 4

CREATED DATE  
1/APR/2020

REVISION DATE  
20/MAR/2024