

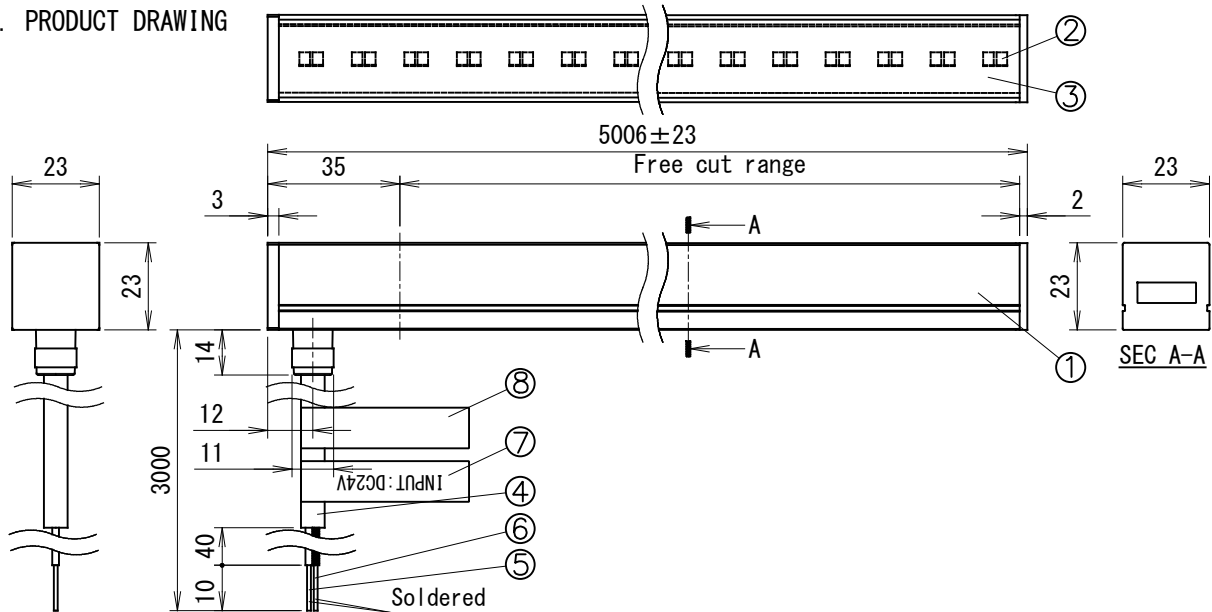
FUNCTION

S-SHAPE 1000 Constant Spectrum

CAT. NO.

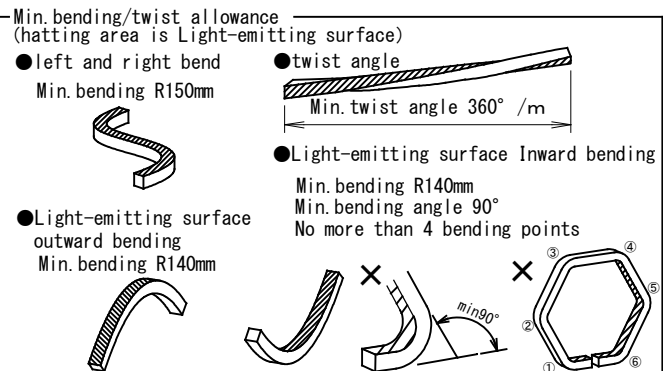
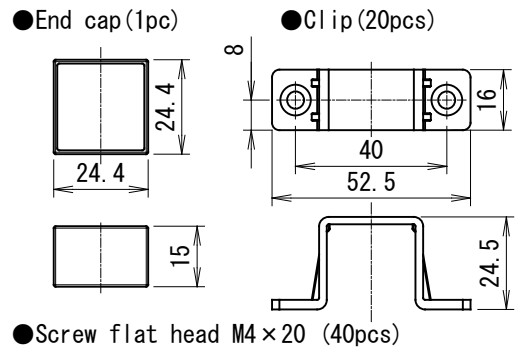
MAP-LED CS10/5000-\*\*\*K/A1/PRO

1. PRODUCT DRAWING



Part Name	Number	Material	Remarks
1 Tube	—	Silicon	—
2 LED	—	—	—
3 Flexible printed circuits	—	Polymide	—
4 Sheath	1	Silicon	White φ6.3
5 Lead wire(+)	1	—	AWG18 Red(+)
6 Lead wire(-)	1	—	AWG18 Black(-)
7 Input voltage label	1	—	—
8 Safety Standard label	1	—	—

Accessories



2. SPECIFICATION

Input voltage	DC24V
Power consumption ※1	110 W(22.0W/1m)
Consumption efficiency	47.7lm/W
Weight	3000 g
Min. bending	top bend R140mm/side bend R150mm
twist allowance	twist 360° /m
Cut pitch	Free within the range shown in the product drawing
Dust and drip proof protection ※2	IP67(outdoor) ※
Average of rendering index	Ra90 min
Ambient temperature	-20°C ~ 40°C

3. PRODUCT CODE

MAP-LED CS10 /5000 - \*\*\* /A1/PRO

①	②	③	④	⑤
①Product type			④Color temperature	
②Series			25K = 2500K	
③Length	5000mm		27K = 2700K	
			30K = 3000K	
			35K = 3500K	
			⑤Version	

※1 The power consumption is measured based on the measuring method, JIC C 8105-3.

※2 Can be used outdoors. Can be used in direct sunlight. Can not be used in submerged areas.

During construction, protect the directly connected parts with self-bonding tape.

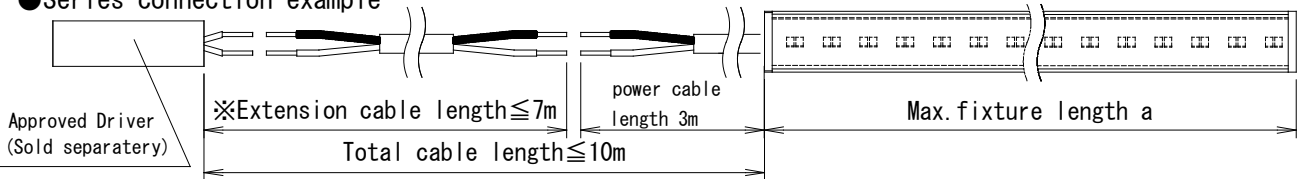
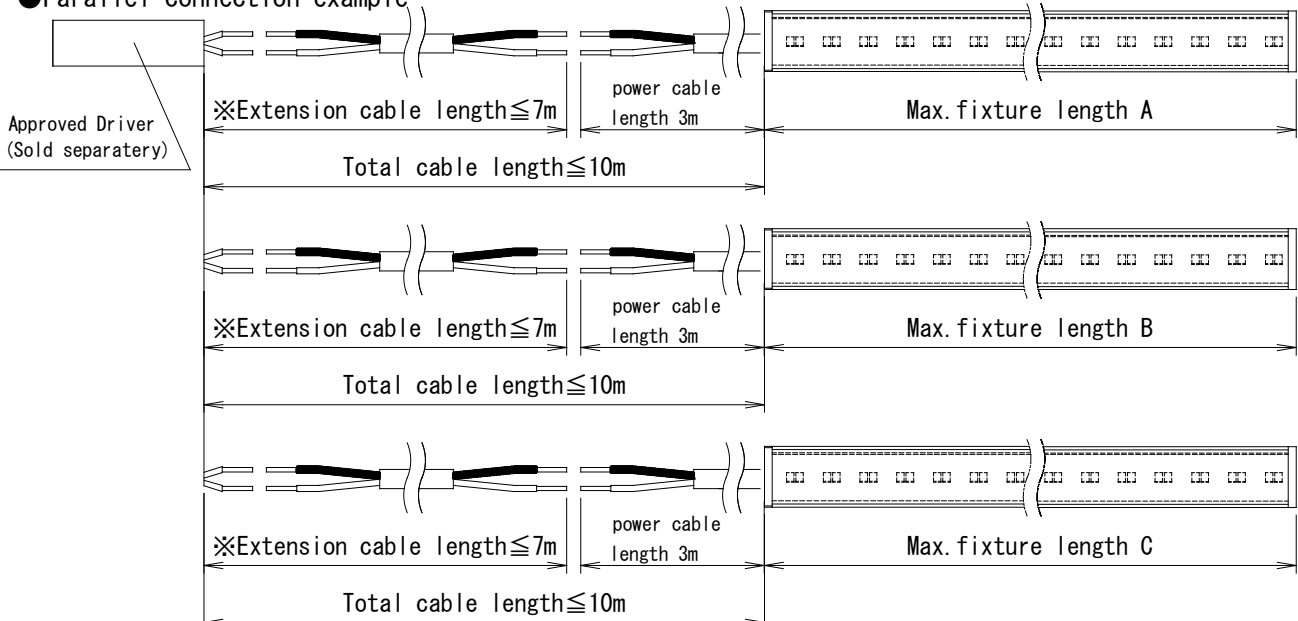
FUNCTION

**S-SHAPE 1000 Constant Spectrum**

CAT. NO.

**MAP-LEDCS10/5000-\*\*K/A1/PRO**
**4. CONNECTABLE LENGTH/LED DRIVERS**

Model number	Max. output power	Max. fixture length (a, A, B, C)	Max. parallel connection length (A+B+C)
NTC-E060CV0241	60W	2.4m(Excluding wire length)	2.4m(Excluding wire length)
NTC-E180CV0241	180W	5.0m(Excluding wire length)	7.4m(Excluding wire length)

**● Series connection example**

**● Parallel connection example**


※When extending the power cable, use an electric wire with a thickness of AWG16 or more.

The maximum length of wire that can be extended is 7m.

When using it outdoors, be sure to use an outdoor cable (cabtyre cord, etc.).

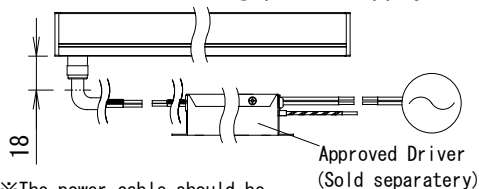
※If extended, the luminous flux of the equipment may decrease, so please check with a sample.

**5. Special size**

- The length can be specified in 1 mm increments.

Please contact us for details.

L (Special size)	tolerance
75mm ~ 1000mm	$\pm 10\text{mm}$
1001mm ~ 2000mm	$\pm 12\text{mm}$
2001mm ~ 3000mm	$\pm 15\text{mm}$
3001mm ~ 4000mm	$\pm 20\text{mm}$
4001mm ~ 5000mm	$\pm 25\text{mm}$

**6. ATTENTION when connecting power supply and equipment**


※The power cable should be bent at least 18mm from the fixture.

FUNCTION  
S-SHAPE 1000 Constant Spectrum

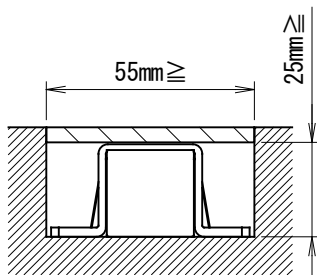
 CAT. NO.  
MAP-LEDCS10/5000-\*\*K/A1/PRO

**7. ATTENTION**

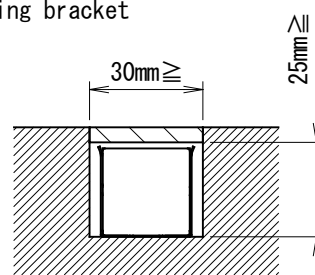
- Because of unevenness of LED chip, the emission color and the brightness of each product may be different even in the same product model.
- The emission color and brightness of LED chip may become uneven over time.
- Do not use a radio or TV near the fixtures. The unit may generate noise in the radio or TV.
- When replacing, please replace each LED module. LED element can not be replaced.
- For suitable dimmers, please contact distributor.
- Mounting clips should be installed at even intervals.
- In order to use it safely, please be sure to read the installation manual and instruction manual.

**8. Embedded minimum dimensions**

- Clip(accessories)

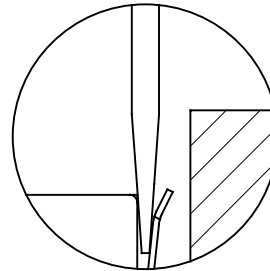
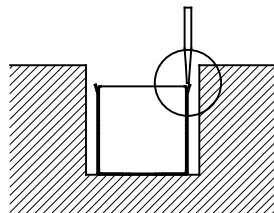


- Mounting option(Sold Separately)  
Linear mounting rail  
Bendable mounting rail  
Mounting bracket

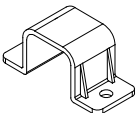
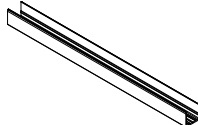
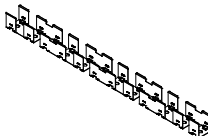
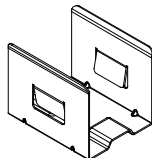


Remove(Linear mounting rail, Bendable mounting rail, Mounting bracket)

Remove the fixture by inserting a flat-blade screwdriver or similar tool into the gap between the mounting parts and the fixture.



- Please refer to the following table for the correspondence of installation method and surface of fixtures.

Installation		Clip(accessories)	Linear mounting rail MAP-CS10/RL1000/01	Bendable mounting rail MAP-CS10/RLC5000/01	Mounting bracket(upward) MAP-CS10/BKT/01/01
					
Installable surface	Ceiling Wall	○	×	○	×
	Floor	○	○	○	○